



LINEPACK

MULTIFUNCTIONAL BALE BAR

ACHIEVE PERFECT ALIGNMENT
WHEN COLLECTING WITH AUTOSTACK

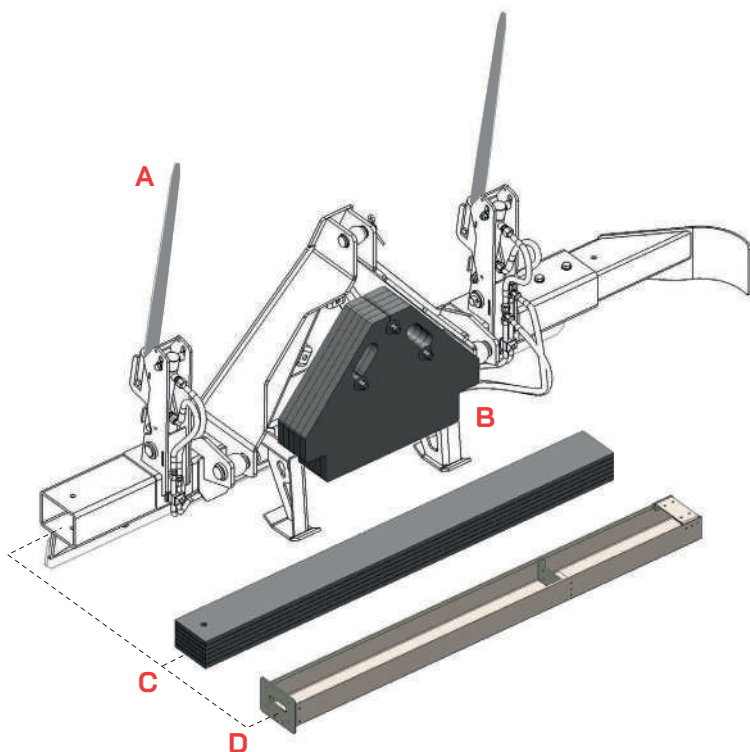




THE IDEAL COMPLEMENT FOR YOUR TRACTOR WHEN WORKING WITH AUTOSTACK

LinePack aligns bales in the field regardless of how they exit the baler, without the need to do any movement in the direction of the tractor

It also **allows to pick one or two bales** with its tines, increasing the loading capacity of the stacker



OPTIONS

A	Optional tines	33.5 in / 850 mm
B	Back counterweights	max. 441 lb / 200 kg 88 lb/u / 40 kg/u
C	Lateral counterweights	max. 330.7 in / 150 kg 55 lb/u / 25 kg/u
D	Tool box	16 L de capacidad

DIMENSIONS & WEIGHTS

Width	89 / 97 in 2.260 / 2.460 mm
Height	53.5 in / 1.360 mm
Standard tines	45.3 in / 1.150 mm
TARE	507 lb / 230 kg (without extras)

For more information visit our website
or contact us