

DRAW	DESCRIPTION	PAGE
HR00253	MULTIPLIER PUMP ASSEMBLY _____	01
HR00270	HITCH AND DEPOSIT _____	03
HR00311	PICK UP ASSEMBLY I _____	05
HR00277	PICK UP ASSEMBLY II _____	07
HR00304	PICK UP ATTACHMENTS _____	09
HR00305	PICK UP ASSEMBLY TO FRAME _____	11
HR00306	ENTRANCE PICK UP GUIDE ASSEMBLY _____	13
HR00307	TRANSPORTER ASSEMBLY _____	15
HR00257	PUSHER ASSEMBLY _____	17
HR00282	PHOTOCELL D11 _____	19
HR00271	LIFTING ASSEMBLY _____	21
HR00251	KNOTTER-NEEDLE ASSEMBLY _____	23
HR00258	TIE AXLE ASSEMBLY _____	25
HR00354	KNOTTER _____	27
HR00259	STRING TENSIONER ASSEMBLY _____	29
HR00260	ASSEMBLY SPOOL CABINET _____	31
HR00262	UPPER FRAME ASSEMBLY _____	33
A30015	MECHANISM D6 _____	35
HR00263	EXTRACTOR ASSEMBLY _____	37
HR00264	REAR GATE _____	39
HR00267	UPPER REAR GATE _____	41
HR00268	DETECTOR D4 + D8 _____	43
A30018	WHEEL ASSEMBLY _____	45
HR00256	DETECTOR SET D1 + BALE GUIDANCE _____	47
HR00269	PROTECTOR SET _____	49
HR00298	ELECTRIC GROUP _____	51
HR00195	SIGNALISATION _____	53
HR00273	HYDRAULIC DISTRIBUTOR _____	55

<i>DIBUJO / PICTURE</i>	<i>REV.</i>	<i>DESCRIPCIÓN / DESCRIPTION</i>	<i>PAG.</i>
HR00253	B	MULTIPLIER PUMP ASSEMBLY	1

POSICIÓN POSITION	CANTIDAD QUANTITY QUANTITÉ	CODIGO ARTICULO PART CODE	*	DENOMINACION NAMING DÉNOMINATION	NOTAS NOTES NOTES
1	4	RCJMB24		OIL SEAL WASHER 1½"	
2	8	TR5830	-	FLAT WASHER M 12 125 ZN	
3	8	TR5940	-	GROWER WASHER M 12 127 ZN	
4	8	TR1300	-	BOLT M 12x025 933 8.8 ZN	
5	2	TR5840	-	FLAT WASHER M 14 125 ZN	
6	2	TR5950	-	GROWER WASHER M 14 127 ZN	
7	2	TR1428	-	BOLT M 14x035 933 8.8 ZN	
8	4	TR101008045	-	ALLEN BOLT 1/2"-13UNFx45 912 SAE	
9	4	TR12123030	-	ALLEN BOLT WITHWORTH 3/8"-16H x 30	
10	4	TR20190001	-	BOLT ALLEN 1/2" - 13UNFx25 931 SAE	
11	1	AMML1415D1	*	M7 MULTIPLIER 6005.401.040 (1:4)	-
12	1	EHBMB17	*	PUMP VAR. C. 60cc. CONEX. SIDE REX.	
13	1	RC56016		FLANGE SAE PARTIDA 1" 3000 PSI	-
14	1	RC3022424		BRACKET SAE 1" - H1" 3000 PSI A	
15	1	EH20210027	-	BALL VALVE 1 1/2" 2 WAYS H-H PN40	
16	1	EH20160008	-	JOINT OR-054x3.53	-
17	1	A3P000688	-	FLANGE ADAPTER ASE 2" - 1 1/2 3000 PSI	-
18	1	RC50324L	-	BRASS HYDRAULIC FITTING 1"1/2"M-1"1/2"H	-
19	1	RC51524		ELBOW 90 ° M1 ½ "-TL1 ½" SPECIAL SQUARE	
20	2	RC9043224		SUCTION COUPLING 90°TM2"-M1½"	-
21	1	TF012		MINING SUCTION HOSE 15BAR ø50	-
22	2	AM00310		PINCHCOCK SUPER 59-63	
23	1	RC50024		COUPLING M1½" - M1½"	
24	1	EM00109	-	SEAL 050-090-10/8	
25	1	AMTA219040		PTO CAP 250/180	
26	1	AMTF6081H6	-	HOMOKINETIC PTO TYPE 6	-
27	1	EMTR04008010	-	SEAL 040-080-10	
28	1	EH20190014	-	INTERIOR AXLE SEAL BOMB 60cc	

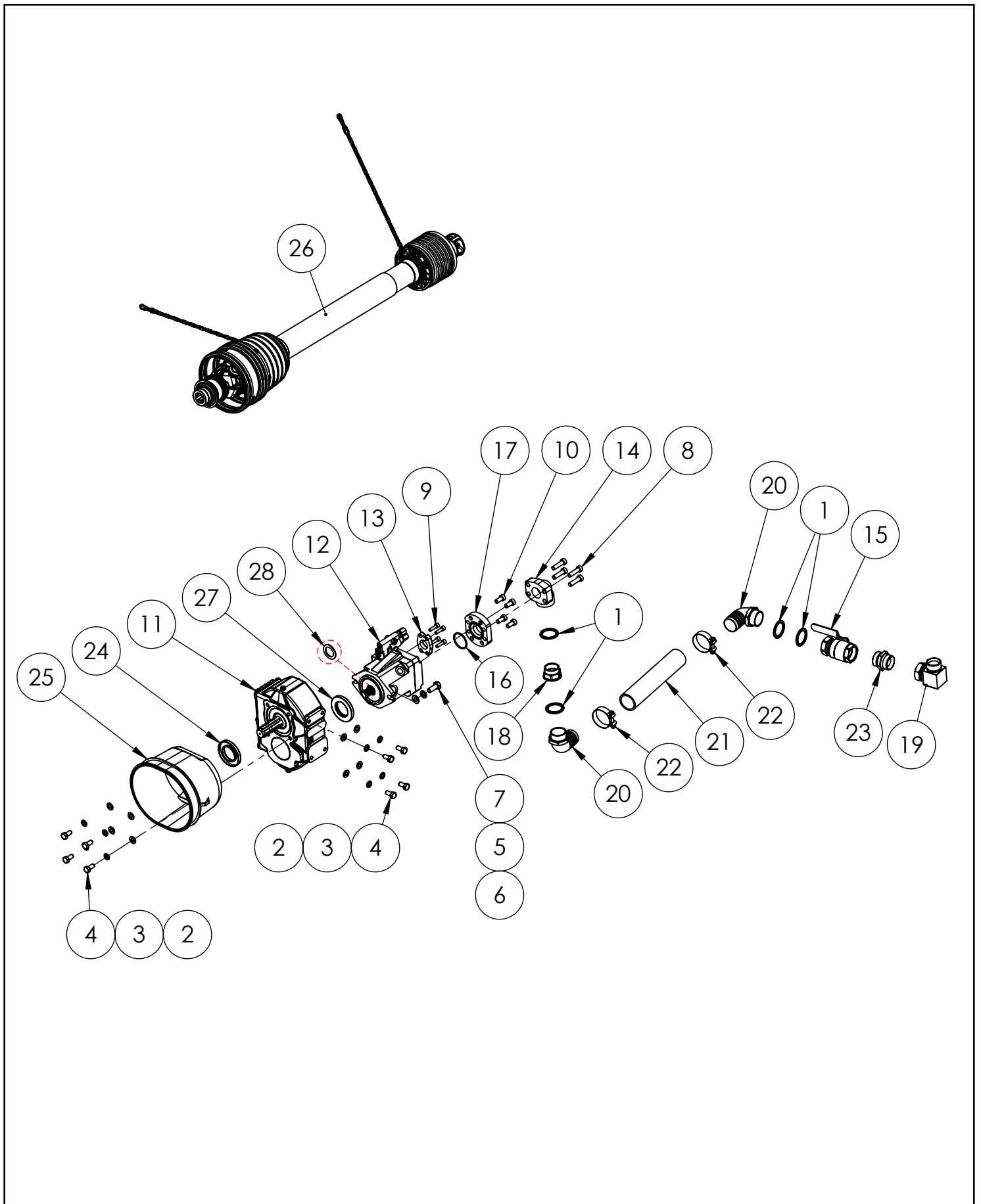


PLAZO DE ENTREGA SEGÚN DISPONIBILIDAD
Los precios están sujetos a revisión sin previa notificación

DELIVERY TIME ACCORDING TO AVAILABILITY
The prices are subject to change without notice

DATE DE LIVRAISON SELON STOCK
Les tarifs sont sujets à changement sans préavis

PAG.	DESCRIPCIÓN / DESCRIPTION	DIBUJO / PICTURE	REV.
2	MULTIPLIER PUMP ASSEMBLY	HR00253	B



<i>DIBUJO / PICTURE</i>	<i>REV.</i>	<i>DESCRIPCIÓN / DESCRIPTION</i>	<i>PAG.</i>
HR00270	B	HITCH AND DEPOSIT	3

POSICIÓN POSITION	CANTIDAD QUANTITY QUANTITÉ	CODIGO ARTICULO PART CODE	*	DENOMINACION NAMING DÉNOMINATION	NOTAS NOTES NOTES
1	12	TR5850	-	WASHER DIN-125 ZN M16	
2	8	TR5960	-	WASHER M 16 127 ZN	
3	8	TR5070		NUT M 16 934 8.8 ZN	
4	4	TR1525	-	VOLT DIN 931 M16x50 8.8 ZN	
5	4	TR20210019		VOLT DIN 931 M16x50 8.8 ZN	
6	10	TR5820	-	FLAT WASHER M 10 125 ZN	
7	10	TR5930	-	GROWER WASHER M 10 127 ZN	
8	4	TR1200	-	BOLT M 10x030 933 8.8 ZN	
9	4	TR5800	-	WASHER M 06 125 ZN	
10	4	TR5910	-	GROWER WASHER M 06 127 ZN	
11	4	TR1021	-	BOLT M 06x025 933 8.8 ZN	
12	6	TR1190	-	BOLT M 10x025 933 8.8 ZN	
13	1	RCJMB24		OIL SEAL WASHER 1½"	
14	2	RCJMB12		OIL SEAL WASHER 3/4"	
15	1	EHFLTRES01		COMPLET RETURN FILTER 1½" ø180	
16	1	EH00168		SUCTION FILTER 1 ½ "Ø85x185 (130Lts.)	-
17	1	EHFTLTAP01		CAP WITH PRESSURIZED FILTER AND BALL	-
18	1	EHFLTP1201		PRESSURE FILTER 3/4" 20µ BP7bar 110 Lt. FIBER	-
19	1	EH00182	-	OIL LEVEL INDICATOR 127 mm. WITH TERMOMETER	
20	1	FXP000205	-	PRESSED CARTON BOARD	-
21	2	RC51012I		CAP M3 / 4 " WITH HEXAGONAL HOSE	
22	1	RC51022		CAP M1½" H	
23	1	AMPA001	-	SUPPORT LEG MECHANICAL (6000 KGS.)	
24	1	A3S000288	-	EXTENDED RING COUPLE	
25	1	EH00196		MANOMETER WIKA ø63 0/400 G1/4"dorsal class 1,6	
26	1	XPS000027	*	PLUG FLANGE TANK	
27	1	EHFLTP12R3		PRESSURE FILTER CLOGGING INDICATOR	
28	1	EHFLTP12R2	-	PRESSURE FILTER CARTRIDGE 3/4 "110 Lt. 10µ BP7bar	-
29	1	A3S000342	-	BALL COUPLING	
30	1	EHFLTREM01		MANOMETER RETURN FILTER MULTIPACK 2005	
31	1	EHFLTREC01	-	RETURN FILTER CARTRIDGE. SEMISUM. 1½" ø180 anchor	-
32	1	A3S000759	*	PIN AND EYE COUPLING	
33	4	A3P000810		LASER WASHER	-
34	1	A4P000363		P.T.O. SUPPORT	-
35	1.25	AM00003	-	CHAIN 10 MM DIN764 L1250mm	LONG. 1250 mm
36	1	CNCAN30140	-	PADLOCK	-

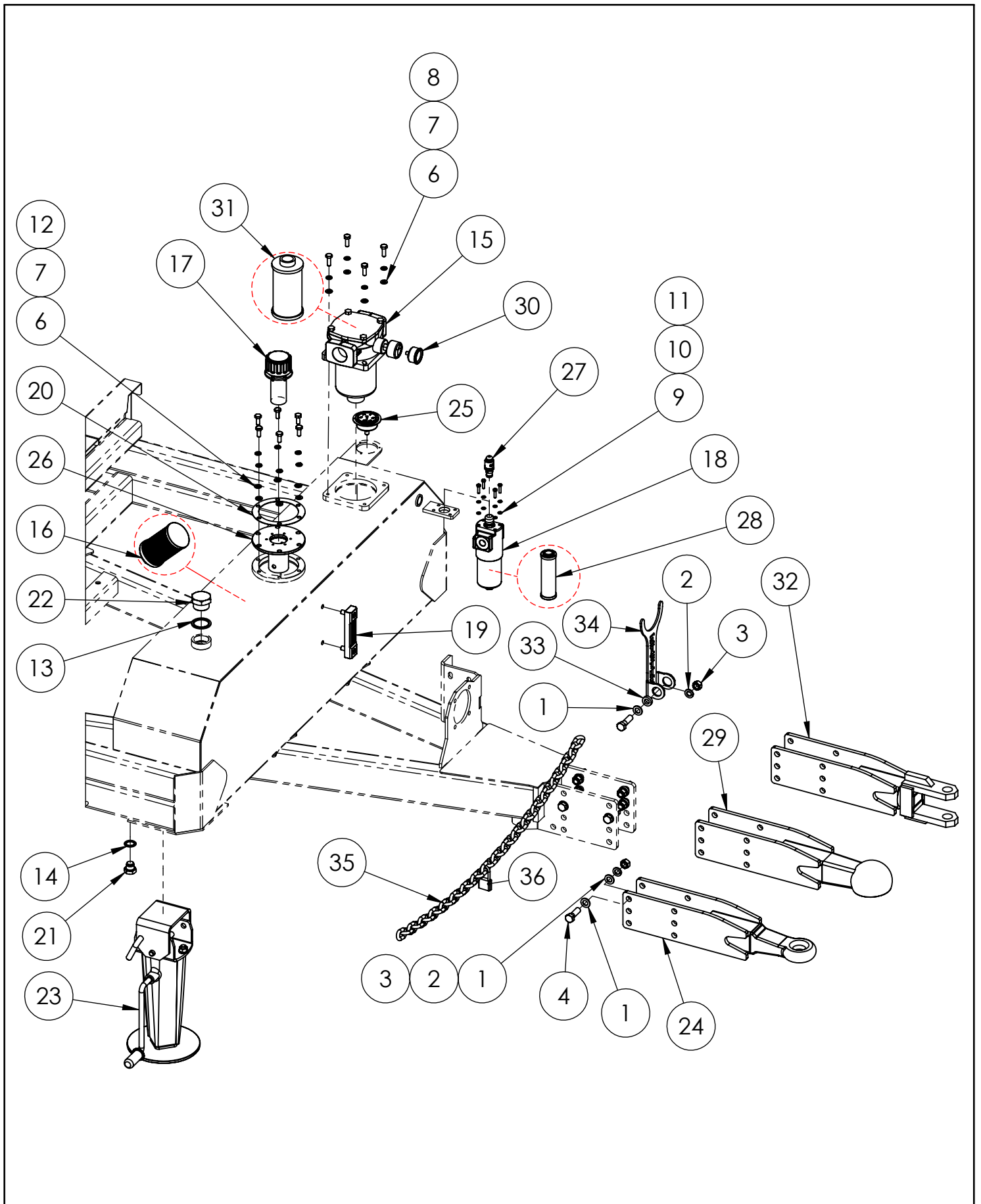


PLAZO DE ENTREGA SEGÚN DISPONIBILIDAD
Los precios están sujetos a revisión sin previa notificación

DELIVERY TIME ACCORDING TO AVAILABILITY
The prices are subject to change without notice

DATE DE LIVRAISON SELON STOCK
Les tarifs sont sujets à changement sans préavis

PAG.	DESCRIPCIÓN / DESCRIPTION	DIBUJO / PICTURE	REV.
4	HITCH AND DEPOSIT	HR00270	B



DIBUJO / PICTURE	REV.	DESCRIPCIÓN / DESCRIPTION	PAG.
HR00311	B	PICK UP ASSEMBLY I	5

POSICIÓN POSITION POSITION	CANTIDAD QUANTITY QUANTITÉ	CODIGO ARTICULO PART CODE	*	DENOMINACION NAMING DÉNOMINATION	NOTAS NOTES NOTES
1	1	A3P000877		ENTRANCE AXLE PICK-UP	-
2	1	A4P000062	-	WHEEL	
3	2	A4S000026		CARRIAGE TENSOR	
4	8	EM00078		BEARING 6005 2RS	
5	4	EM00195	-	ELASTIC RING I-047 DIN 472	
6	5	TR06295		PIN 08x7x22	
7	2	A3P000879	-	TUBE	-
8	5	PL0104042		WHEEL	
9	6	EM00172		ELASTIC RING E-025 DIN 471	
10	2	EM00175		ELASTIC RING E-030 DIN 471	
11	2	A4S000025	-	ROCKER	
12	4	FXP000395		PINION CHAIN Z=7	-
13	4	EM00072		BEARING 6004 2RS	-
14	4	EM00190		ELASTIC RING I-047 DIN 472	
15	4	EM00171		ELASTIC RING E-020 DIN 471	
16	4	AMCDK015	-	STICK CHAIN 16 STEP	
17	2	PL0104187		SPRING 24x3x80	
18	7	TR5920	-	GROWER WASHER M 08 127 ZN	
19	6	TR1073	-	BOLT DIN-933 M08x20 8.8 ZN	
20	8	TR5810	-	BOLT M 08x020 933 8.8 ZN	
21	1	A3M000117	*	CHAIN ASSEMBLY 36 STEP	
22	1	A3S000017		MOTOR COUPLING AXLE	
23	1	EHMTRO100R	-	MOTOR H. ORBITAL WR-100 REINFORCED	
24	0.16	A4P000393		BAR TREATED M 08 ZN	-
25	1	TR5030		NUT M 08 934 8.8 ZN	
26	1	A32107000	*	BOLTED PLATE	
27	1	A3P000871	-	GUIDE RAIL	
28	1	A3P000872		TUB	-
29	1	A3P000873		CHAIN TENSOR	-
30	1	A3P000874		CHAIN TENSOR WHEEL	-
31	1	A3P000897	-	SPRING 22x2.5x16	
32	1	A3P000897s	-	SPRING 22x2.5x16	-
33	1	TR1283	-	BOLT DIN-931 8.8 ZN M10x120	
34	1	TR5520	-	NUT M 10 985 8.8 ZN	
35	2	TR5510		WASHER M 08 125 ZN	
36	1	TR1150	-	BOLT DIN-931 8.8 ZN M08x70	
37	1	EM00011		OVAL FLANGED BEARING SUPPORT ø25	
38	2	TR5940	-	GROWER WASHER M 12 127 ZN	
39	2	TR1312	-	BOLT M 12x040 933 8.8 ZN	
40	2	TR5930	-	GROWER WASHER M 10 127 ZN	
41	2	TR1200	-	BOLT M 10x030 933 8.8 ZN	
42	3	TR2991		BOLT M 06x015 7991 8.8 ZN	
43	1	A3P000021		4 POINT STAR	
44	1	A3P000020	-	BUSH	-
45	1	TR2063	-	BOLT M 08x020 912 8.8 ZN	
46	1	EHMTROK320	-	SEALS KIT ORBITAL MOTOR 320	-
47	1	EHBQ028	-	BLOCK D14	-

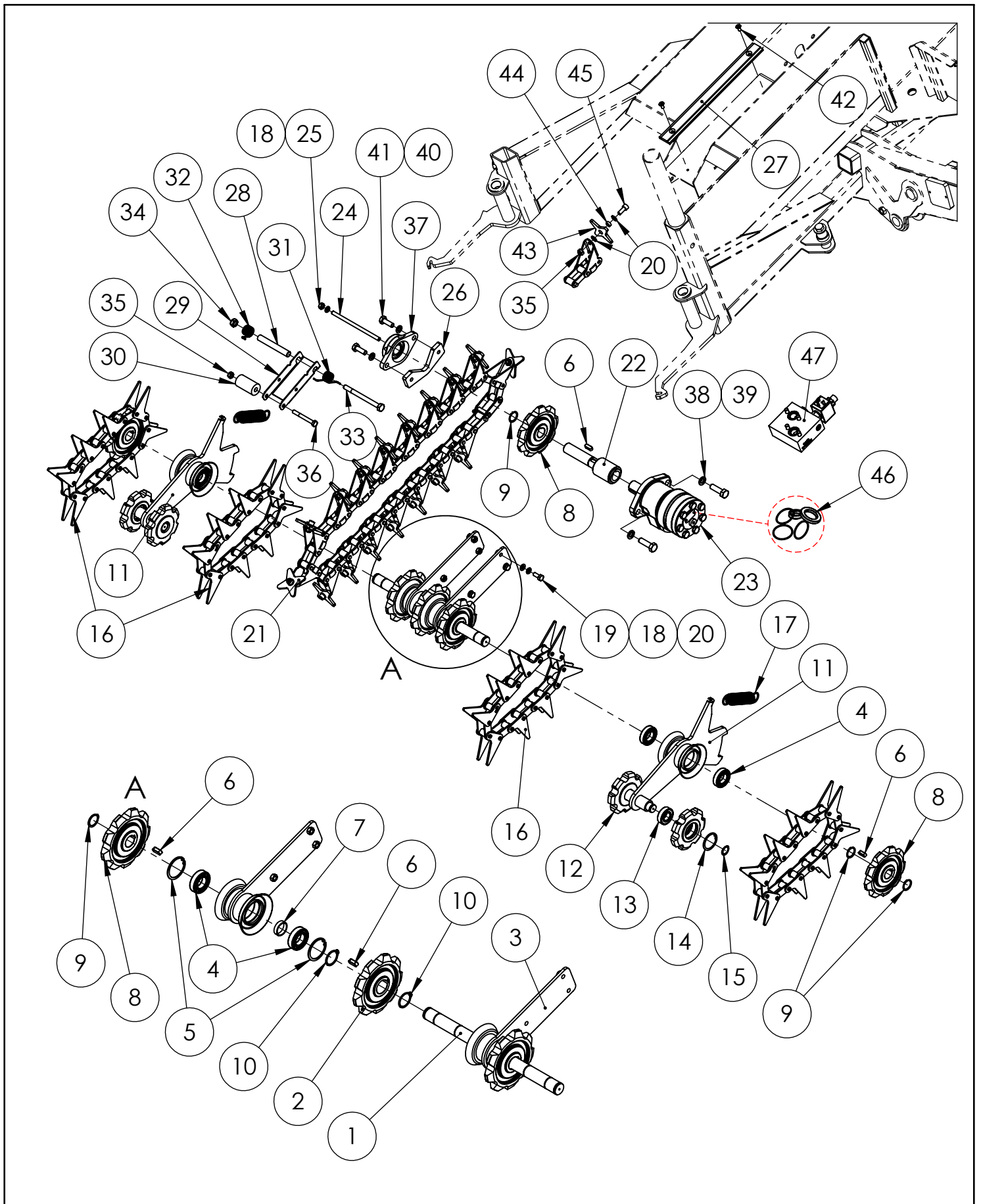


PLAZO DE ENTREGA SEGÚN DISPONIBILIDAD
Los precios están sujetos a revisión sin previa notificación

DELIVERY TIME ACCORDING TO AVAILABILITY
The prices are subject to change without notice

DATE DE LIVRAISON SELON STOCK
Les tarifs sont sujets à changement sans préavis

PAG.	DESCRIPCIÓN / DESCRIPTION	DIBUJO / PICTURE	REV.
6	PICK UP ASSEMBLY I	HR00311	B



<i>DIBUJO / PICTURE</i>	<i>REV.</i>	<i>DESCRIPCIÓN / DESCRIPTION</i>	<i>PAG.</i>
HR00277	A	PICK UP ASSEMBLY II	7

POSICIÓN POSITION POSITION	CANTIDAD QUANTITY QUANTITÉ	CODIGO ARTICULO PART CODE	*	DENOMINACION NAMING DÉNOMINATION	NOTAS NOTES NOTES
1	1	A3M000031	*	CHAIN SECTION 41.4 40	
2	1	PL0104042		WHEEL	
3	1	A3S000017	*	MOTOR COUPLING AXLE	
4	1	TR06295		PIN 08x7x22	
5	1	EM00172		ELASTIC RING E-025 DIN 471	
6	1	EHMTRO100R	-	MOTOR H. ORBITAL WR-100 REINFORCED	
7	0.16	TR06411	-	BAR TREATED M 08 ZN	-
8	1	TR5920	-	GROWER WASHER M 08 127 ZN	
9	1	TR5030		NUT M 08 934 8.8 ZN	
10	1	A3P000216	-	GUIDE RAIL	
11	1	A3P000215	-	GUIDE RAIL	-
12	1	PL0104041		WHEEL	-
13	1	A3P000031	*	AXLE SHAFT TENSING	
14	1	EM00075		BEARING 6206 2RS	
15	2	EM00212	-	ELASTIC RING I-062 DIN 472	
16	2	EM00175		ELASTIC RING E-030 DIN 471	
17	1	A3P000872		TUB	-
18	1	A3P000873		CHAIN TENSOR	-
19	1	A3P000874		CHAIN TENSOR WHEEL	-
20	1	A3P000897	-	SPRING 22x2.5x16	
21	1	A3P000897s	-	SPRING 22x2.5x16	-
22	1	TR1283	-	BOLT DIN-931 8.8 ZN M10x120	
23	3	TR5520	-	NUT M 10 985 8.8 ZN	
24	2	TR5510		WASHER M 08 125 ZN	
25	1	TR1150	-	BOLT DIN-931 8.8 ZN M08x70	
26	1	EM00011		OVAL FLANGED BEARING SUPPORT ø25	
27	1	TR1575	-	VOLT DIN 931 M16x125 8.8 ZN	
28	2	TR5940	-	GROWER WASHER M 12 127 ZN	
29	2	TR1312	-	BOLT M 12x040 933 8.8 ZN	
30	2	TR1200	-	BOLT M 10x030 933 8.8 ZN	
31	1	TR5850	-	WASHER DIN-125 ZN M16	
32	1	TR5541		NUT M 16 985 8.8 ZN	
33	2	TR2991		BOLT M 06x015 7991 8.8 ZN	
34	2	TR2043	-	VOLT DIN 912 M06x30 8.8 ZN	
35	1	A3P000021		4 POINT STAR	
36	1	A3P000020	-	BUSH	-
37	2	TR5810	-	BOLT M 08x020 933 8.8 ZN	
38	1	TR2063	-	BOLT M 08x020 912 8.8 ZN	
39	1	AM00016	-	STRAIGHT COUPLER 41.4,BOLT 8.25mmDELTA TONE M.0-0	OPCIONAL
40	1	EHMTROK320	-	SEALS KIT ORBITAL MOTOR 320	-

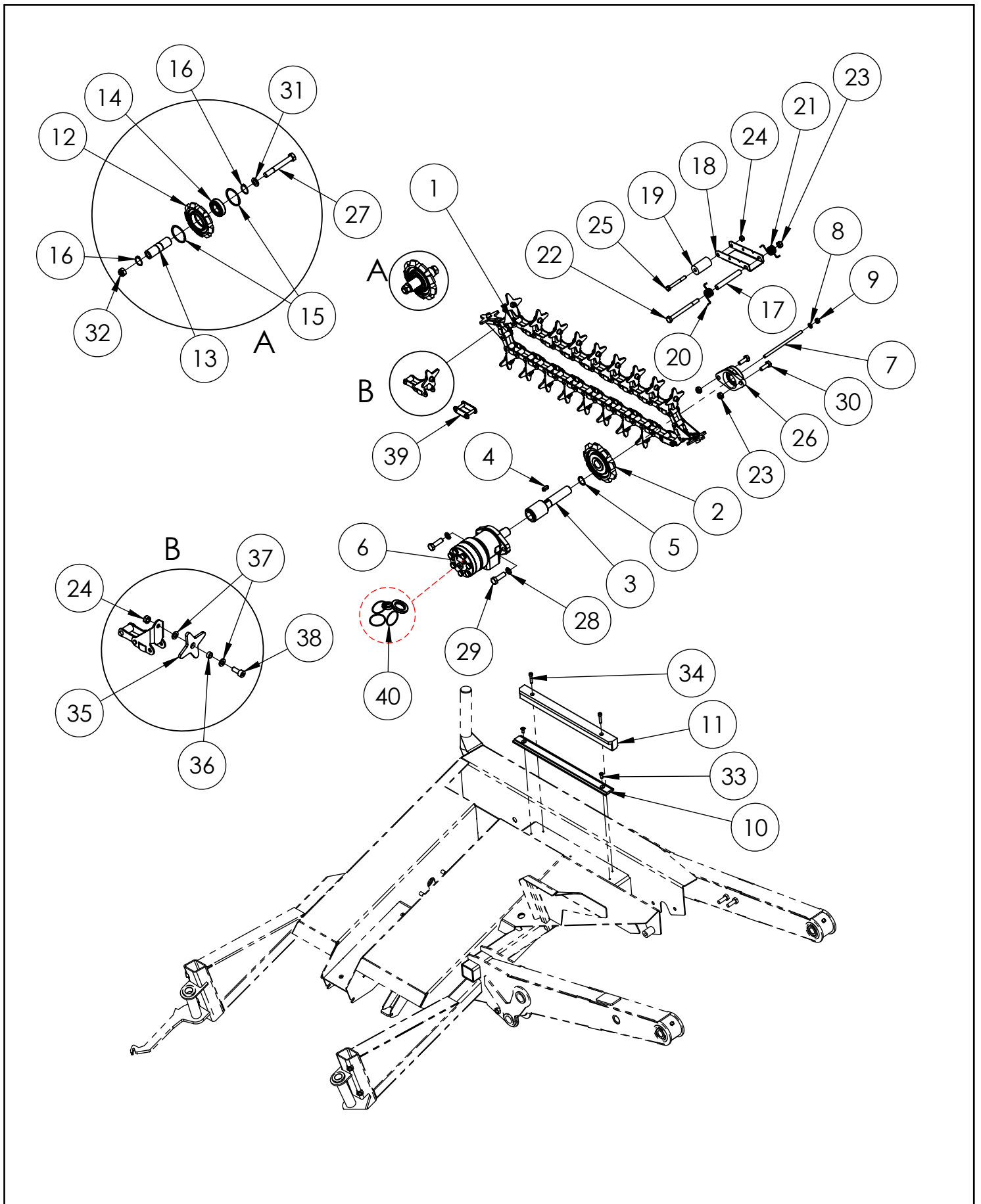


PLAZO DE ENTREGA SEGÚN DISPONIBILIDAD
Los precios están sujetos a revisión sin previa notificación

DELIVERY TIME ACCORDING TO AVAILABILITY
The prices are subject to change without notice

DATE DE LIVRAISON SELON STOCK
Les tarifs sont sujets à changement sans préavis

PAG.	DESCRIPCIÓN / DESCRIPTION	DIBUJO / PICTURE	REV.
8	PICK UP ASSEMBLY II	HR00277	A



<i>DIBUJO / PICTURE</i>	<i>REV.</i>	<i>DESCRIPCIÓN / DESCRIPTION</i>	<i>PAG.</i>
HR00304	B	PICK UP ATTACHMENTS	9

POSICIÓN POSITION	CANTIDAD QUANTITY QUANTITÉ	CODIGO ARTICULO PART CODE	*	DENOMINACION NAMING DÉNOMINATION	NOTAS NOTES NOTES
1	1	PL0104183	*	SPRING 28.5x3x140	-
2	2	PL0104187		TRACTION SPRING 24x3x80	
3	2	AM00099		SILENTBLOCK ø30x30 M06x17	
4	4	AM20210012	-	CLAMP CLOSURE 11/4" M6	-
5	2	EM20200021		BEARING RA20-XL_1	
6	2	TR5830	-	FLAT WASHER M 12 125 ZN	
7	2	TR5530	-	NYLON INSERT LOCK NUT M 12 985 8.8 ZN	
8	5	TR1190	-	BOLT M 10x025 933 8.8 ZN	
9	3	TR1270	-	BOLT M 10x080 931 8.8 ZN	
10	5	TR5520	-	NUT M 10 985 8.8 ZN	
11	4	TR5820	-	FLAT WASHER M 10 125 ZN	
12	1	TR5560	-	NUT M 20 985 8.8 ZN	
13	1	TR5090		NUT M 20 934 8.8 ZN	
14	2	TR5871	-	WASHER DIN-9021 M20	
15	1	TR5870	-	FLAT WASHER M 20 125 ZN	
16	6	TR4103		BOLT DIN-603 8.8 ZN M08X20	
17	14	TR5810	-	BOLT M 08x020 933 8.8 ZN	
18	6	TR5510		WASHER M 08 125 ZN	
19	8	TR5920	-	GROWER WASHER M 08 127 ZN	
20	8	TR5030		NUT M 08 934 8.8 ZN	
21	2	TR5500		NYLON INSERT LOCK NUT M 06 985 8.8 ZN	
22	2	TR5825	-	FLAT WASHER M 10 9021 ZN	
23	2	TR5040		NUT M 10 934 8.8 ZN	
24	2	TR1220	-	BOLT M 10x040 933 8.8 ZN	
25	1	A3M000140	-	PIVOT ROLLER	
26	1	A4P000033	-	ROLLER SUPPORT BAR	
27	1	OT15016S03		DISPLACABLE SUPPORT	
28	1	OT15016S02		SUPERIOR SHEATH	
29	3	A3P00040401	-	SPRING FIXATION	-
30	1	A3P000404		PICK UP TORSION SPRING	
31	3	A3P00040402	-	RING SPRING	-
32	1	A3S000372	-	INFERIOR SHEATH	
33	1	A4S000018		TILTING MECHANISM	
34	1	A3S000120	-	TUBE GUIDE	
35	1	XX2205000A		CHAIN WHEEL PROTECTOR	-
36	2	A3P000385		TORSION SPRING PICK UP	
37	1	A3P000870	*	C14 BALE DIVERTER C14	-
38	1	A4P000068	-	TILTING MECHANISM SUPPORT BRACKET	-
39	1	A4P000068s		TILTING MECHANISM SUPPORT BRACKET	
40	1	A4P000045		SPRING GUIDE SUPPORT TUBE	-
41	2	AM20210003		PLUG FOR TUBE Ø42 mm	

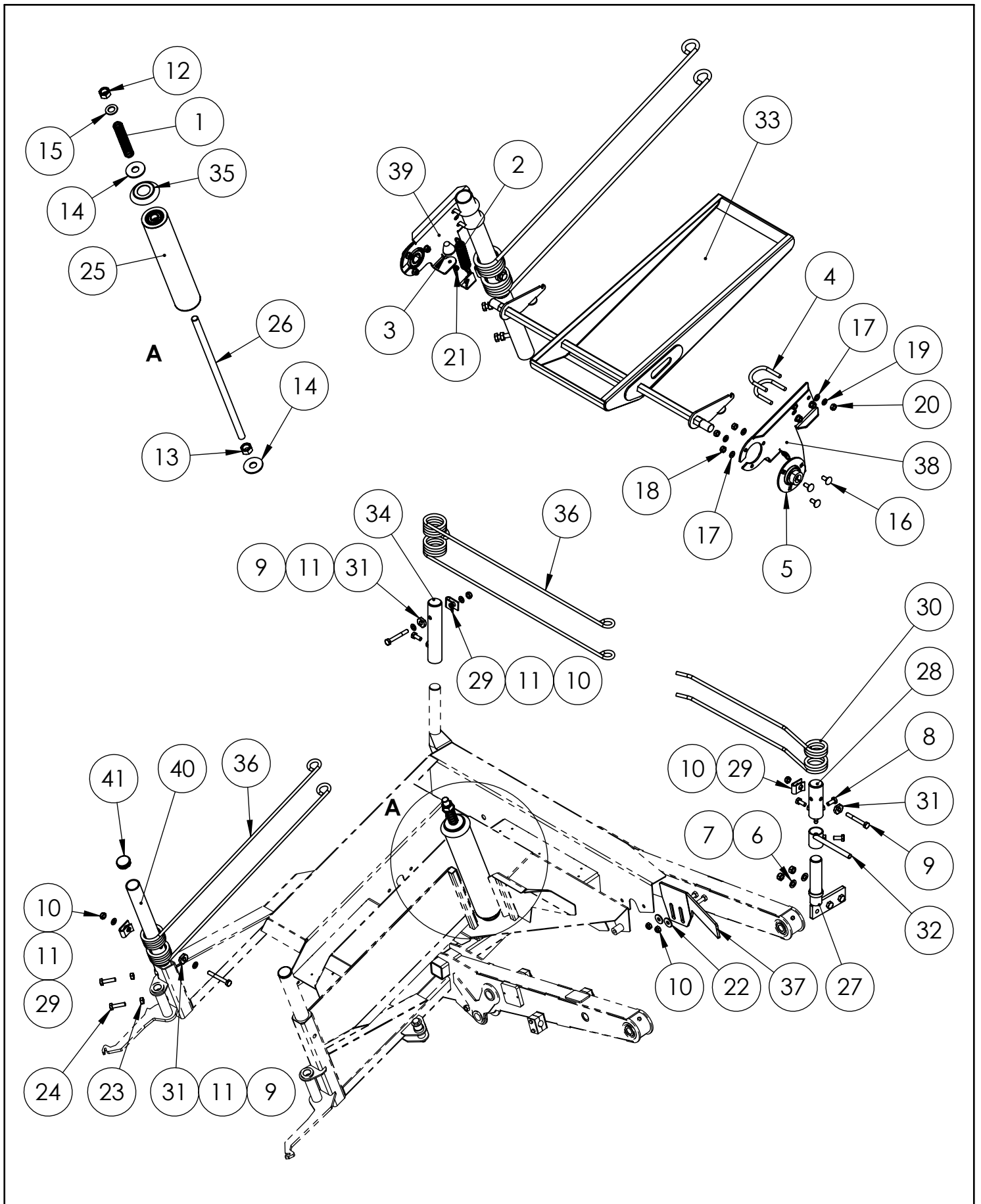


PLAZO DE ENTREGA SEGÚN DISPONIBILIDAD
Los precios están sujetos a revisión sin previa notificación

DELIVERY TIME ACCORDING TO AVAILABILITY
The prices are subject to change without notice

DATE DE LIVRAISON SELON STOCK
Les tarifs sont sujets à changement sans préavis

PAG.	DESCRIPCIÓN / DESCRIPTION	DIBUJO / PICTURE	REV.
10	PICK UP ATTACHMENTS	HR00304	B



<i>DIBUJO / PICTURE</i>	<i>REV.</i>	<i>DESCRIPCIÓN / DESCRIPTION</i>	<i>PAG.</i>
HR00305	C	PICKUP ASSEMBLY TO FRAME	11

POSICIÓN POSITION POSITION	CANTIDAD QUANTITY QUANTITÉ	CODIGO ARTICULO PART CODE	*	DENOMINACION NAMING DÉNOMINATION	NOTAS NOTES NOTES
1	2	TR1053		BOLT M 06x050 933 8.8 ZN	
2	2	TR5910		GROWER WASHER M 06 127 ZN	
3	2	TR5800		WASHER M 06 125 ZN	
4	2	TR1985		BOLT M 20x120 931 8.8 ZN	
5	2	TR5560		NUT M 20 985 8.8 ZN	
6	2	TR1180		BOLT DIN-933 M10x20 8.8 ZN	
7	2	TR5820		FLAT WASHER M 10 125 ZN	
8	3	TR5930		GROWER WASHER M 10 127 ZN	
9	2	TR5050		NUT M 12 934 8.8 ZN	
10	2	TR5970		GROWER WASHER M 20 127 ZN	
11	2	TR5870		FLAT WASHER M 20 125 ZN	
12	4	TR5090		NUT M 20 934 8.8 ZN	
13	2	TR1976		BOLT DIN-933 12.9 ZN M20x70	
14	1	TR1179		BOLT DIN-933 8.8 ZN M10x15	
15	2	TR06386		STRAIGHT NIPPLE 10x100 3AF	
16	1	A5S000071		PICKUP FRAME	
17	1	EC035005		CYLINDER.DE.30-50/350	
18	2	EJAG25x85		AXLE ANTITURN ø25x85	
19	1	A3S000367		SECURITY PIN	
20	4	A3P000884		BUSH DETACHED	-
21	1	AM00126		SILENT BLOCK STANDING 70x60 M-12 CONICAL	
22	2	A32116000		BUSH JOINT PICK UP 35x45x61	
23	2	A32115000		PICK UP AXLE JOINT	
24	1	KR305009		SEALS KIT CYLDR.30/50	-
25	2	RC20200002		SWIVEL FITTING 3/8" 90°	-
26	1	EHVSL00801		SECUCENTIAL VALVE R. VSQ 30 CC 1/2"	-
27	1	TR06110		PIN R-4 ZN	
28	1	A4S000002		PICK-UP SUPPORT	
29	1	AM0011001		SILEMBLOCK ANTIVIBRATION FOOT 60x28 M-10 50/120	

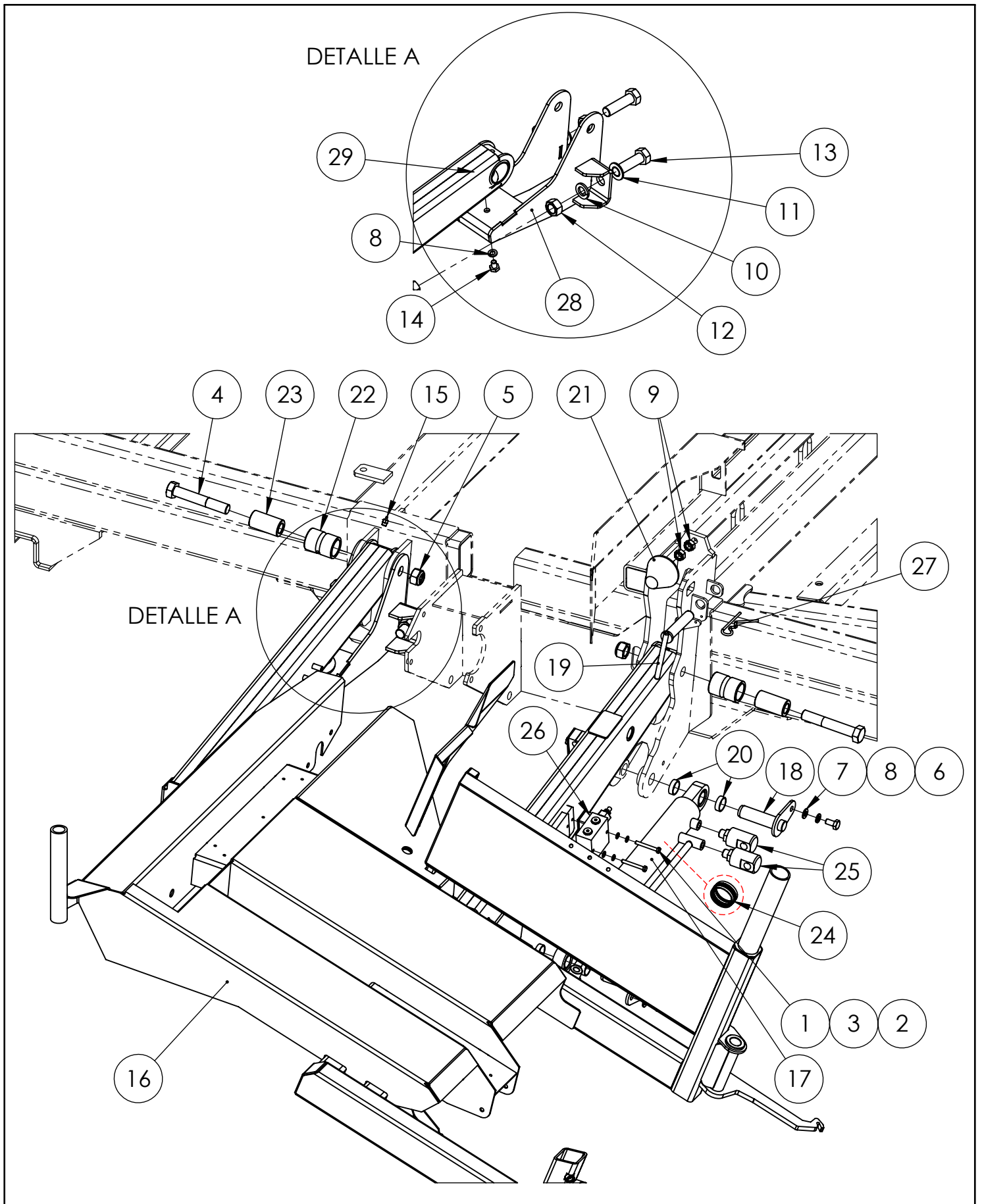


PLAZO DE ENTREGA SEGÚN DISPONIBILIDAD
Los precios están sujetos a revisión sin previa notificación

DELIVERY TIME ACCORDING TO AVAILABILITY
The prices are subject to change without notice

DATE DE LIVRAISON SELON STOCK
Les tarifs sont sujets à changement sans préavis

PAG.	DESCRIPCIÓN / DESCRIPTION	DIBUJO / PICTURE	REV.
12	PICKUP ASSEMBLY TO FRAME	HR00305	C



<i>DIBUJO / PICTURE</i>	<i>REV.</i>	<i>DESCRIPCIÓN / DESCRIPTION</i>	<i>PAG.</i>
HR00306	B	ENTRANCE PICK UP GUIDE ASSEMBLY	13

POSICIÓN POSITION POSITION	CANTIDAD QUANTITY QUANTITÉ	CODIGO ARTICULO PART CODE	*	DENOMINACION NAMING DÉNOMINATION	NOTAS NOTES NOTES
1	1	TR1356	-	BOLT M 12x090 931 8.8 ZN	
2	1	TR5530	-	NYLON INSERT LOCK NUT M 12 985 8.8 ZN	
3	2	TR5920	-	GROWER WASHER M 08 127 ZN	
4	2	TR1073	-	BOLT DIN-933 M08x20 8.8 ZN	
5	8	TR5820	-	FLAT WASHER M 10 125 ZN	
6	3	TR1241	-	VOLT DIN 931 M10x65 8.8 ZN	
7	5	TR5520	-	NUT M 10 985 8.8 ZN	
8	2	TR1232	-	BOLT M 10x050 931 8.8 ZN	
9	2	TR5850	-	WASHER DIN-125 ZN M16	
10	1	TR1545	-	VOLT DIN 931 M16x80 8.8 ZN	
11	1	TR5541		NUT M 16 985 8.8 ZN	
12	1	AL1303003	-	LASER FLAT WASHER	
13	1	EC010009		CYLINDER 25-40/100 M W/BALL JOINT ø25	
14	1	A4S000021	*	LATERAL PICK-UP GUIDE	
15	2	EJAG20x205	-	AXLE ANTITURN Ø20x205	
16	2	PL0104187		SPRING 24x3x80	
17	2	PL0109188		SPRING 16x2x90	
18	2	A3S000285	-	RETENTION TRIGGER	
19	4	EMCP20215		PERMAGLIDE BUSH 20 21,5 WITH VALONA	
20	1	A4S000163	*	LATERAL PICK-UP GUIDE	
21	1	A3P000752		PERMAGLIDE BUSH	-
22	1	KR254011		KIT SEAL CYLINDER 25-40 CIC	-

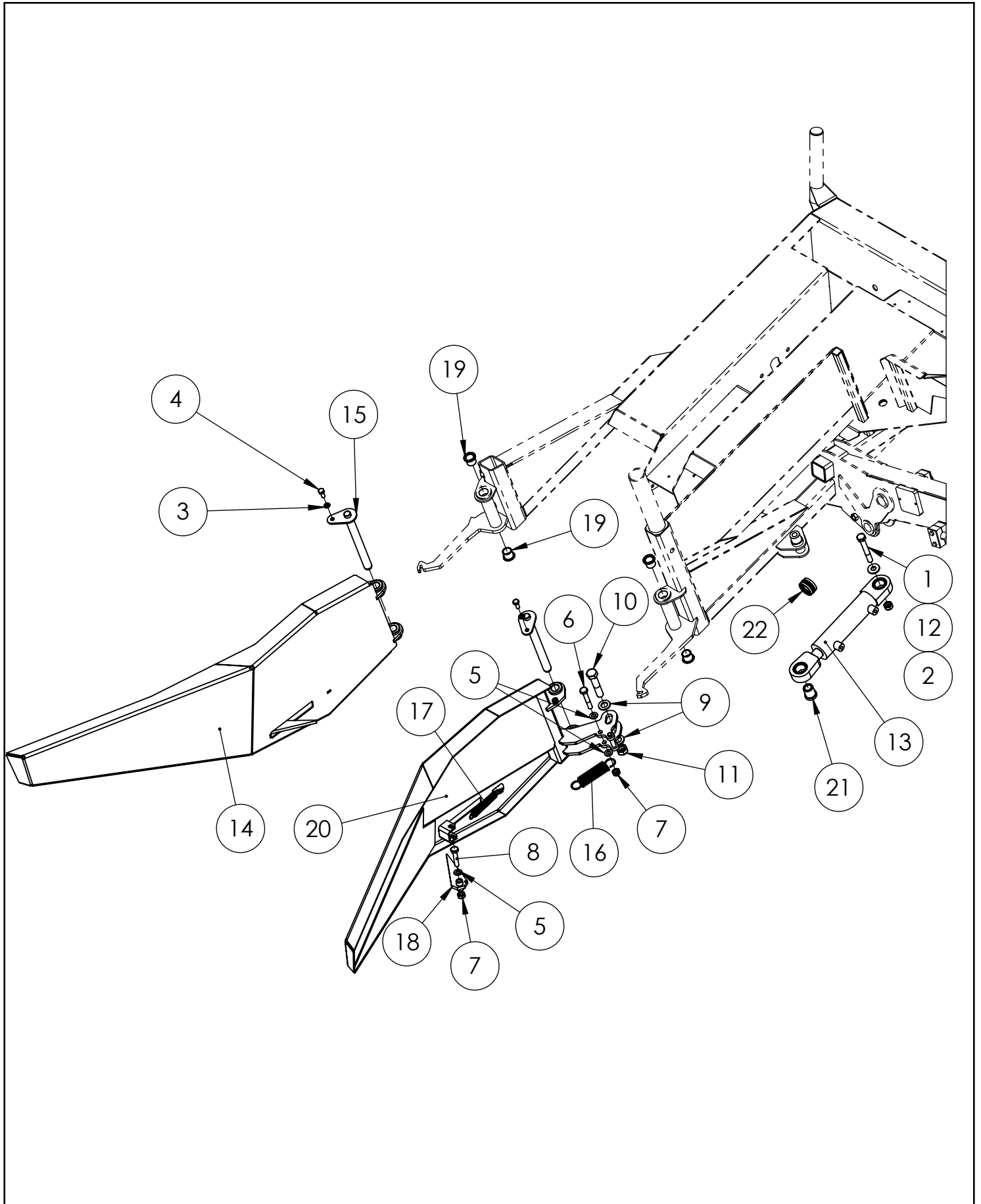


PLAZO DE ENTREGA SEGÚN DISPONIBILIDAD
Los precios están sujetos a revisión sin previa notificación

DELIVERY TIME ACCORDING TO AVAILABILITY
The prices are subject to change without notice

DATE DE LIVRAISON SELON STOCK
Les tarifs sont sujets à changement sans préavis

PAG.	DESCRIPCIÓN / DESCRIPTION	DIBUJO / PICTURE	REV.
14	ENTRANCE PICK UP GUIDE ASSEMBLY	HR00306	B



<i>DIBUJO / PICTURE</i>	<i>REV.</i>	<i>DESCRIPCIÓN / DESCRIPTION</i>	<i>PAG.</i>
HR00307	C	CONVEYOR ASSEMBLY	15

POSICIÓN POSITION	CANTIDAD QUANTITY QUANTITÉ	CODIGO ARTICULO PART CODE	*	DENOMINACION NAMING DÉNOMINATION	NOTAS NOTES NOTES
1	2	TR1245		BOLT M 12x045 933 8.8 ZN	
2	2	TR5530		NYLON INSERT LOCK NUT M 12 985 8.8 ZN	
3	1	TR5920		GROWER WASHER M 08 127 ZN	
4	1	TR5030		NUT M 08 934 8.8 ZN	
5	2	TR1211		BOLT M 10x035 933 8.8 ZN	
6	2	TR5520		NUT M 10 985 8.8 ZN	
7	4	TR5830		FLAT WASHER M 12 125 ZN	
8	8	TR5820		FLAT WASHER M 10 125 ZN	
9	3	TR1546		BOLT M 16x170 931 8.8 ZN	
10	3	TR5541		NUT M 16 985 8.8 ZN	
11	5	TR2991		BOLT M 06x015 7991 8.8 ZN	
12	4	TR2046		BOLT M 06x035 912 8.8 ZN	
13	8	TR5040		NUT M 10 934 8.8 ZN	
14	4	TR5930		GROWER WASHER M 10 127 ZN	
15	2	A22202000A		DEFLECTING ROLLER 47-72-34	
16	1	A3P000230	*	SHAFT	
17	4	EM00078		BEARING 6005 2RS	
18	4	EM00195		ELASTIC RING I-047 DIN 472	
19	5	EM00172		ELASTIC RING E-025 DIN 471	
20	1	PL0104041		WHEEL	-
21	1	A3P000031	*	AXLE SHAFT TENSING	
22	1	EM00075		BEARING 6206 2RS	
23	2	EM00212		ELASTIC RING I-062 DIN 472	
24	2	EM00175		ELASTIC RING E-030 DIN 471	
25	1	A3P000054	*	REDRIVE CHAIN AXLE	
26	1	A3S000017		MOTOR COUPLING AXLE	
27	1	PL0104042		WHEEL	
28	1	EM00011		OVAL FLANGED BEARING SUPPORT ø25	
29	1	TR06295		PIN 08x7x22	
30	1	EH20200001		MOTOR H. ORBITAL 80cc. WR-80 REINFORCED	
31	0.16	A4P000393		BAR TREATED M 08 ZN	-
32	1	A5P000122		PLATE	-
33	4	XX2207000		TENSOR	
34	1	A4P000031	*	LOWER CHAIN GUIDE	
35	1	A4P000032	*	LATERAL CHAIN GUIDE	-
36	1	A4M000016		CHAIN 75 STEPS	
37	1	EHMTROK320		SEALS KIT ORBITAL MOTOR 320	-
38	1	EHBQ028		BLOCK D14	-
39	1	AM00019		CHAIN LINK 41.4 DELTA TONE MOD.00 08	OPCIONAL
40	1	A3P000032		SPECIAL CHAIN	
41	1	A3P000021		4 POINT STAR	
42	1	A3P000020		BUSH	-
43	2	TR5810		WASHER M08 8.8 ZN	
44	1	TR5510		WASHER M 08 125 ZN	
45	1	TR2063		BOLT M 08x020 912 8.8 ZN	

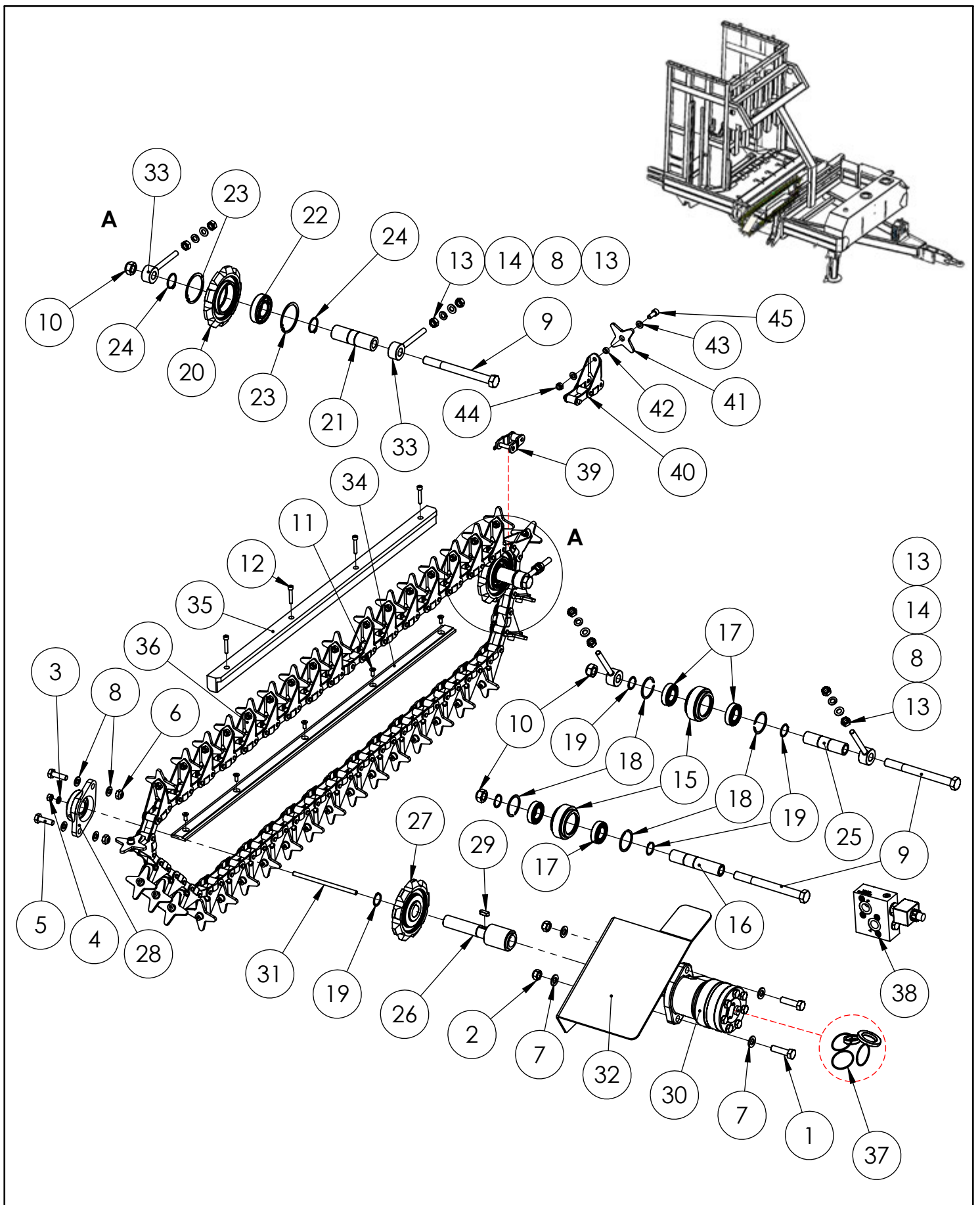


PLAZO DE ENTREGA SEGÚN DISPONIBILIDAD
Los precios están sujetos a revisión sin previa notificación

DELIVERY TIME ACCORDING TO AVAILABILITY
The prices are subject to change without notice

DATE DE LIVRAISON SELON STOCK
Les tarifs sont sujets à changement sans préavis

PAG.	DESCRIPCIÓN / DESCRIPTION	DIBUJO / PICTURE	REV.
16	CONVEYOR ASSEMBLY	HR00307	C



<i>DIBUJO / PICTURE</i>	<i>REV.</i>	<i>DESCRIPCIÓN / DESCRIPTION</i>	<i>PAG.</i>
HR00257	A	PUSHER ASSEMBLY	17

POSICIÓN POSITION POSITION	CANTIDAD QUANTITY QUANTITÉ	CODIGO ARTICULO PART CODE	*	DENOMINACION NAMING DÉNOMINATION	NOTAS NOTES NOTES
1	1	EC027005		CYLINDER 25-40/270	
2	1	KR254003	-	SEALS CYLDR.25-40/150 GIRO-COL./ AG	-
3	2	EM00245		PERMAGLIDE BUSH 20 20 P10	
4	1	AM00126		SILENT BLOCK STANDING 70x60 M-12 CONICAL	
5	2	TR2991		BOLT M 06x015 7991 8.8 ZN	
6	2	TR1010	-	BOLT M 06x016 933 8.8 ZN	
7	1	TR5940	-	GROWER WASHER M 12 127 ZN	
8	8	TR5811		WASHER M 08 9021 ZN	
9	8	TR5920	-	GROWER WASHER M 08 127 ZN	
10	8	TR5030		NUT M 08 934 8.8 ZN	
11	4	TR1090	-	BOLT M 08x030 933 8.8 ZN	
12	1	TR5050		NUT M 12 934 8.8 ZN	
13	1	A3S000034	-	AXLE BOTTOM OF THE RAM	
14	2	A3S000033	-	AXLE JOINT	
15	1	A3S000303	*	FRAME	
16	2	A3S000159	-	UPPER GUIDE ENTRANCE CHAMBER	
17	1	A3S000760		GUIDE	
18	1	A3P000783		DETECTION FLAG	
19	2	EM00256		BUSH 20 15 P10	



PLAZO DE ENTREGA SEGÚN DISPONIBILIDAD
Los precios están sujetos a revisión sin previa notificación

DELIVERY TIME ACCORDING TO AVAILABILITY
The prices are subject to change without notice

DATE DE LIVRAISON SELON STOCK
Les tarifs sont sujets à changement sans préavis

<i>DIBUJO / PICTURE</i>	<i>REV.</i>	<i>DESCRIPCIÓN / DESCRIPTION</i>	<i>PAG.</i>
HR00340	C	D11 + D12 PHOTOCELL	19

POSICIÓN POSITION	CANTIDAD QUANTITY QUANTITÉ	CODIGO ARTICULO PART CODE	*	DENOMINACION NAMING DÉNOMINATION	NOTAS NOTES NOTES
1	1	AE20220004		CABLE W/CONNECTOR M12 M90°-H L=3000MM	
2	2	AEFTC08		PHOTOCELL E3Z-D82-M1J03	
3	1	A5P000124	*	PHOTOCELL SUPPORT	-
4	1	XXP000001		SUPPORT PHOTOCELL E3Z-D82	-
5	1	A5P000128	*	PHOTOCELL SUPPORT PLATE	-
6	1	AE20210024		CABLE W/CONNECTOR M12 M90°-H L=5000MM	
7	6	TR5800		WASHER M 06 125 ZN	
8	4	TR5500		NYLON INSERT LOCK NUT M 06 985 8.8 ZN	
9	2	TR1020		BOLT DIN 933 M06x20 8.8 ZN	
10	2	TR5810		WASHER M08 8.8 ZN	
11	2	TR5920		GROWER WASHER M 08 127 ZN	
12	2	TR1072		BOLT M 08x015 933 8.8 ZN	
13	2	TR3000		BOLT M 06x20 7991 8.8 ZN	
14	2	TR1024		BOLT M 03x020 933 8.8 ZN	

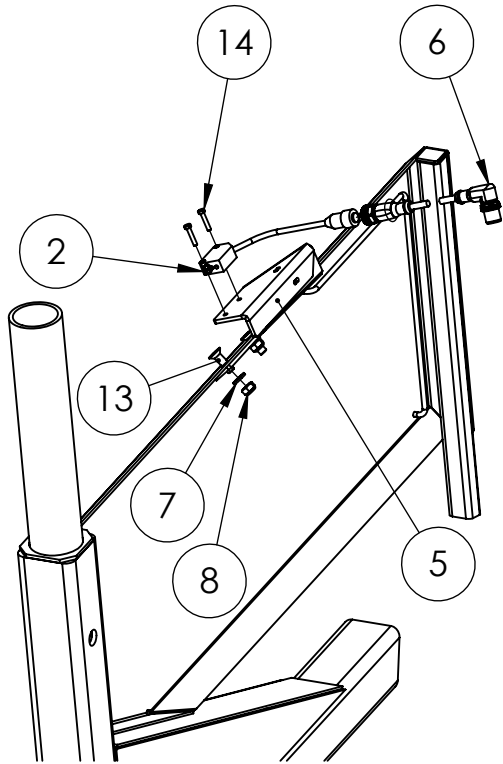


PLAZO DE ENTREGA SEGÚN DISPONIBILIDAD
Los precios están sujetos a revisión sin previa notificación

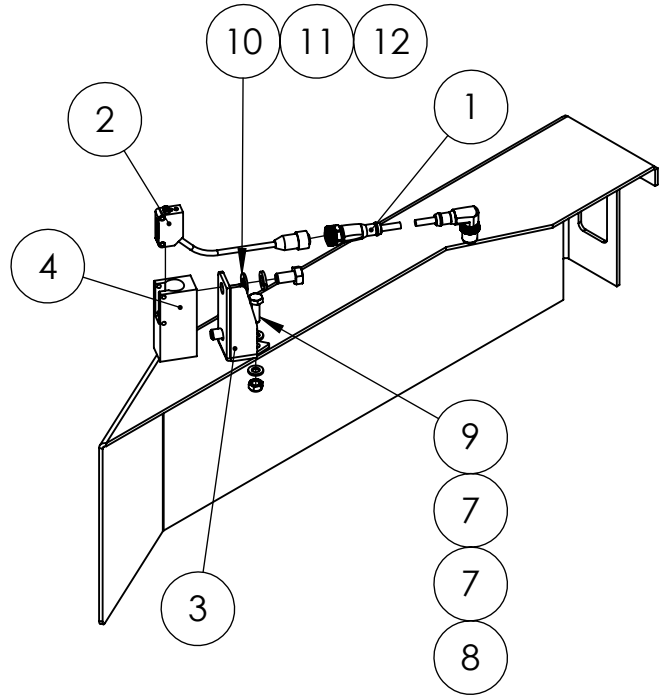
DELIVERY TIME ACCORDING TO AVAILABILITY
The prices are subject to change without notice

DATE DE LIVRAISON SELON STOCK
Les tarifs sont sujets à changement sans préavis

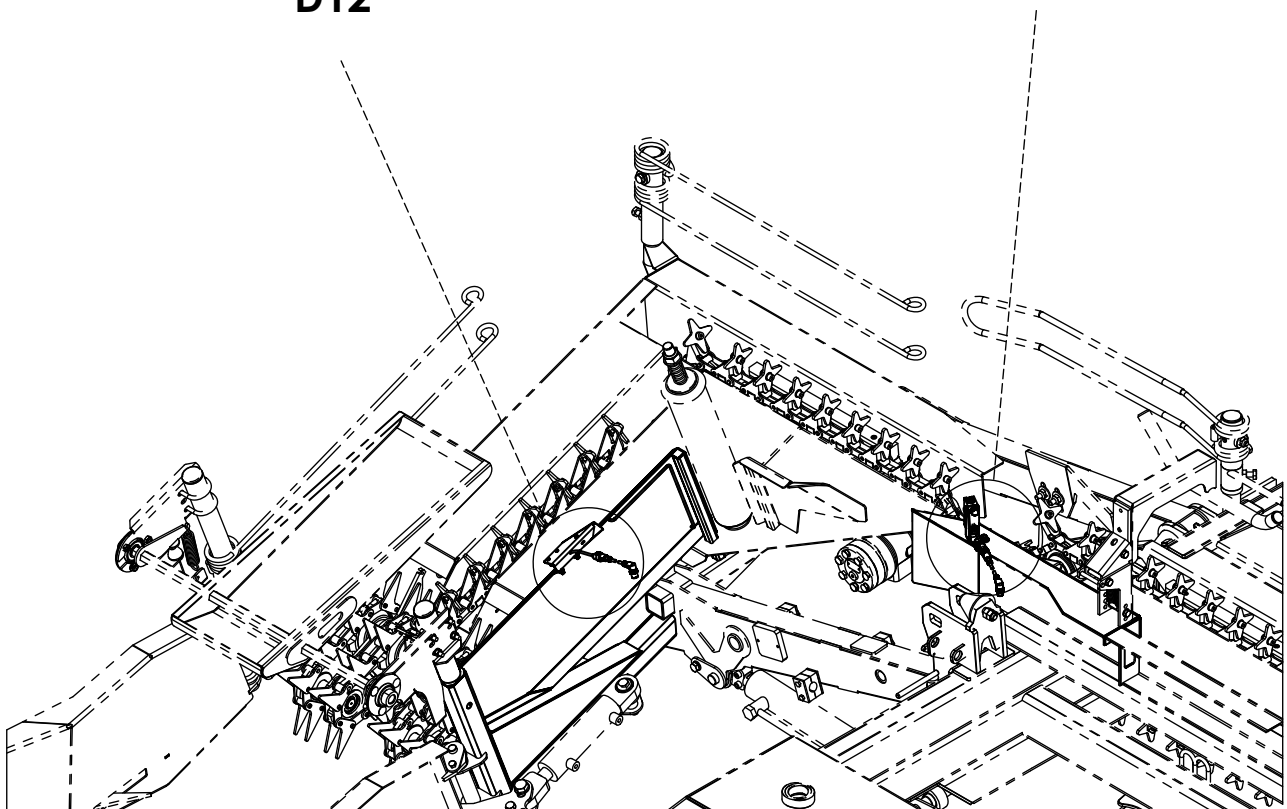
PAG.	DESCRIPCIÓN / DESCRIPTION	DIBUJO / PICTURE	REV.
20	PHOTOCELL D11 + D12	HR00340	C



D12



D11



<i>DIBUJO / PICTURE</i>	<i>REV.</i>	<i>DESCRIPCIÓN / DESCRIPTION</i>	<i>PAG.</i>
HR00271	C	LIFTING ASSEMBLY	21

POSICIÓN POSITION POSITION	CANTIDAD QUANTITY QUANTITÉ	CODIGO ARTICULO PART CODE	*	DENOMINACION NAMING DÉNOMINATION	NOTAS NOTES NOTES
1	48	TR5830		FLAT WASHER M 12 125 ZN	
2	25	TR5530		NYLON INSERT LOCK NUT M 12 985 8.8 ZN	
3	24	TR1312		BOLT M 12x040 933 8.8 ZN	
4	32	TR3020		ALLEN VOLT M.10x20 7991 8.8 ZN	
5	4	TR5820		FLAT WASHER M 10 125 ZN	
6	4	TR1180		BOLT DIN-933 M10x20 8.8 ZN	
7	4	TR5520		NUT M 10 985 8.8 ZN	
8	16	TR1428		BOLT M 14x035 933 8.8 ZN	
9	2	TR5940		GROWER WASHER M 12 127 ZN	
10	2	TR1313		BOLT M 12x035 933 8.8 ZN	
11	22	TR5840		FLAT WASHER M 14 125 ZN	
12	22	TR5950		GROWER WASHER M 14 127 ZN	
13	6	TR2140		ALLEN HEAD BOLT M 14x025 912 8.8 ZN	
14	9	TR5510		WASHER M 08 125 ZN	
15	9	TR3010		BOLT DIN-7991 8.8 ZN M08x20	
16	3	TR1757		BOLT M 24x130 931 8.8 ZN	
17	2	TR5564		NYLON INSERT LOCK NUT M 24 985 8.8 ZN	
18	2	EC060004		CYLDR. DE.30-50/600 ELEV. AG-PT-03	
19	1	KR305001		SEALS KIT 30/50	-
20	2	A23001000A		PIN ø25x80 WITH PLATE CYLDR.ELEV.SUP.	
21	1	AR1706S62	*	LEFT ELEVATOR COLUMN	
22	8	AR1706R47		PLATE	-
23	8	A23202000A	*	PLATE WITH BEARING	
24	1	AR1706S62s	*	RIGHT ELEVATOR COLUMN	
25	1	A5P000146		D9 DETECTOR	-
26	1	A3S000320	*	FRAME BASE PRESS	
27	3	A3P000795	*	ELEVATOR PACKAGE GUIDE	-
28	1	A3P000796	*	LEFT LIFT BASE GUIDE	-

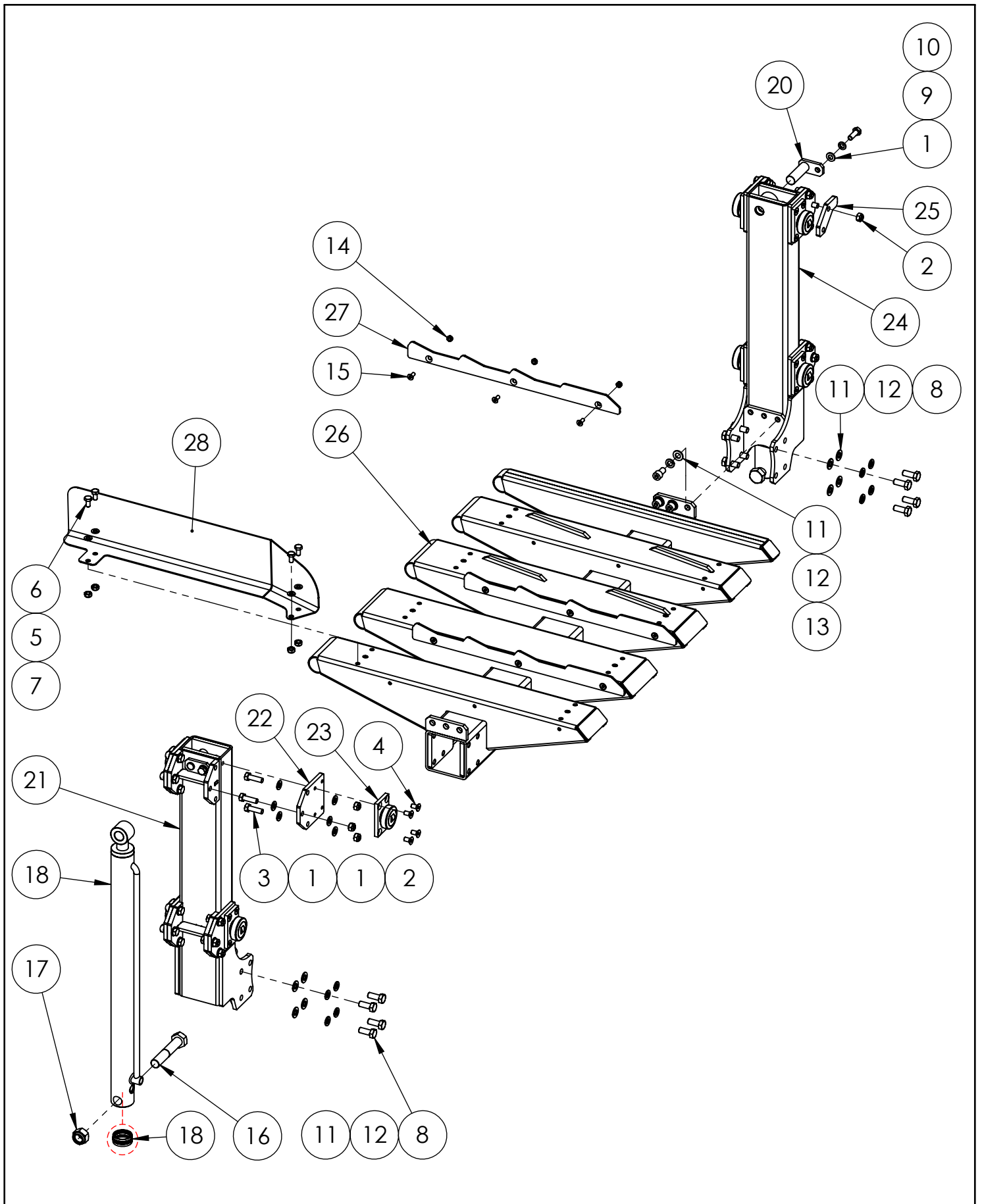


PLAZO DE ENTREGA SEGÚN DISPONIBILIDAD
Los precios están sujetos a revisión sin previa notificación

DELIVERY TIME ACCORDING TO AVAILABILITY
The prices are subject to change without notice

DATE DE LIVRAISON SELON STOCK
Les tarifs sont sujets à changement sans préavis

PAG.	DESCRIPCIÓN / DESCRIPTION	DIBUJO / PICTURE	REV.
22	LIFTING ASSEMBLY	HR00271	C



<i>DIBUJO / PICTURE</i>	<i>REV.</i>	<i>DESCRIPCIÓN / DESCRIPTION</i>	<i>PAG.</i>
HR00251	C	KNOTTER-NEEDLE ASSEMBLY	23

POSICIÓN POSITION POSITION	CANTIDAD QUANTITY QUANTITÉ	CODIGO ARTICULO PART CODE	*	DENOMINACION NAMING DÉNOMINATION	NOTAS NOTES NOTES
1	1	A3S000335	*	NEEDLE HOLDER BRIDGE	
2	4	A3M000106		CURVED NEEDLE 354x15 WITH ROLLER GUIDE	
3	1	A5P000283		THREAD GUIDE PLATE	-
4	1	A34106000		RING	
5	6	A14101000B		FLAT WASHER 10.5-45-5 ROD TYERS	
6	1	EHMTRO3150		ENGINE H. ORBITAL WR-315 REINFORCED SAE-A	-
7	1	EHMTROK320		SEALS KIT ORBITAL MOTOR 320	-
8	1	PIR0320		SPROCKET 5/8" SIMPLE Z-17 AXLE 25 CHV.8	
9	1	EMTCD10S01		TENSOR BLOCK 5/8" SIMPLE	
10	1	AM20210025		CHAIN COUPLING	
11	1	AM20210026		CHAIN CONNECTION	
12	1	A4P000365		5/8" REINFORCED CHAIN	
13	2	A14504000B		PIN ø30x170 M24 NEEDLE BRIDGE	
14	2	A14505000B		BUSH 30-40-71 SEPARATOR NEEDLE BRIDGE	
15	2	A14104000B	*	ROD ADJUSTMENT NEEDLES	
16	1	EHR00031		HELD GREASABLE PIN TA4M ø 30 WITH NIPPLE	
17	4	EMCP4020		PERMAGLIDE BUSH 40 20 P10	
18	1	TR5825		FLAT WASHER M 10 9021 ZN	
19	1	TR1080		BOLT M 08x025 933 8.8 ZN	
20	1	TR5920		GROWER WASHER M 08 127 ZN	
21	2	TR5940		GROWER WASHER M 12 127 ZN	
22	2	TR1312		BOLT M 12x040 933 8.8 ZN	
23	2	TR5050		NUT M 12 934 8.8 ZN	
24	2	TR5564		NYLON INSERT LOCK NUT M 24 985 8.8 ZN	
25	2	TR5881		FLAT WASHER M 24 125 ZN	
26	2	TR06386		STRAIGHT NIPPLE 10x100 3AF	
27	6	TR5930		GROWER WASHER M 10 127 ZN	
28	4	TR1200		BOLT M 10x030 933 8.8 ZN	
29	2	TR5820		FLAT WASHER M 10 125 ZN	
30	2	TR1220		BOLT M 10x040 933 8.8 ZN	

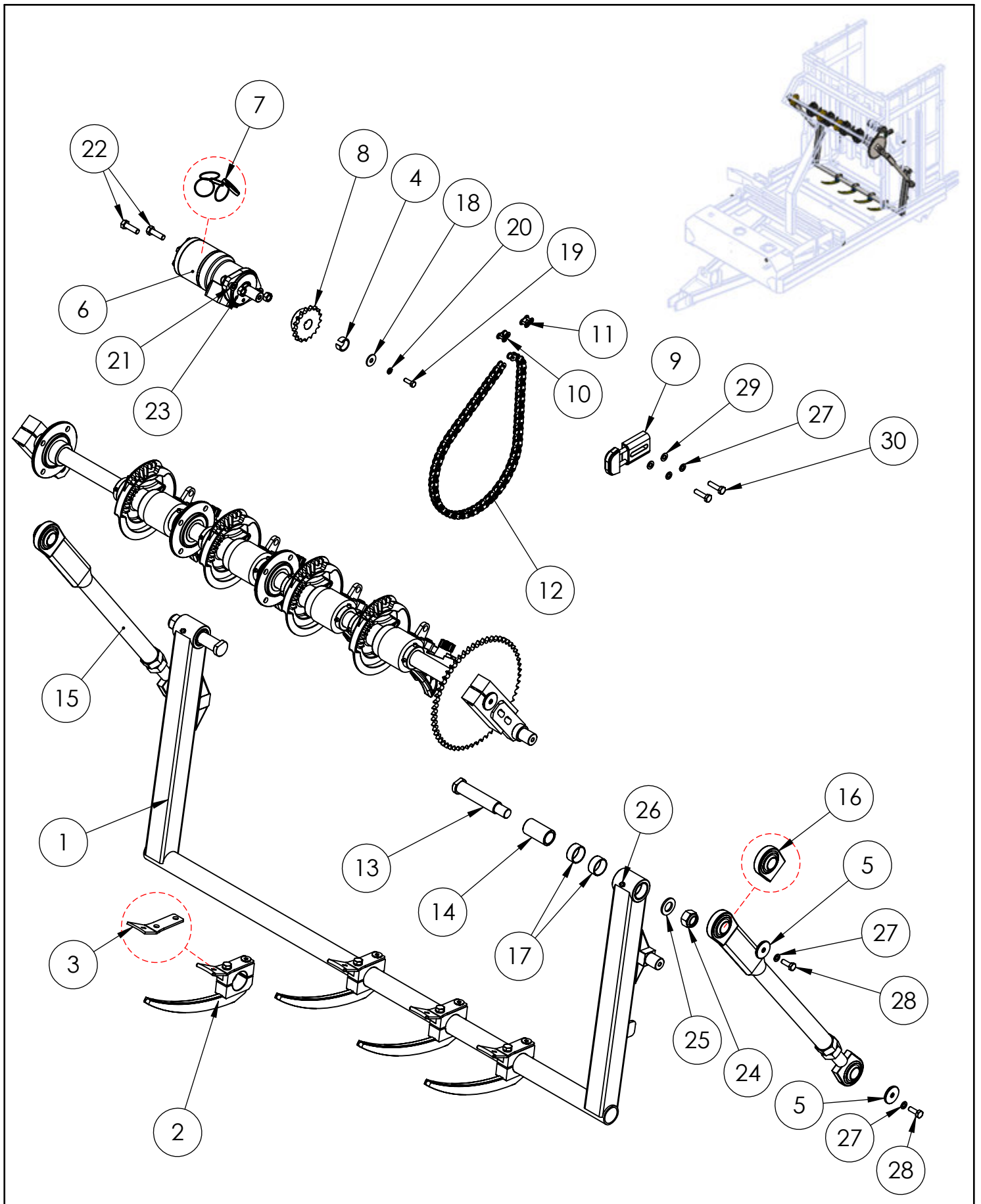


PLAZO DE ENTREGA SEGÚN DISPONIBILIDAD
Los precios están sujetos a revisión sin previa notificación

DELIVERY TIME ACCORDING TO AVAILABILITY
The prices are subject to change without notice

DATE DE LIVRAISON SELON STOCK
Les tarifs sont sujets à changement sans préavis

PAG.	DESCRIPCIÓN / DESCRIPTION	DIBUJO / PICTURE	REV.
24	KNOTTER-NEEDLE ASSEMBLY	HR00251	C



<i>DIBUJO / PICTURE</i>	<i>REV.</i>	<i>DESCRIPCIÓN / DESCRIPTION</i>	<i>PAG.</i>
HR00258	A	TIE AXLE ASSEMBLY	25

POSICIÓN POSITION POSITION	CANTIDAD QUANTITY QUANTITÉ	CODIGO ARTICULO PART CODE	*	DENOMINACION NAMING DÉNOMINATION	NOTAS NOTES NOTES
1	2	A14101000B		FLAT WASHER 10.5-45-5 ROD TYERS	
2	2	A14103000C	*	REGULABLE LEVER	
3	1	A3P000807	*	TIE AXLE	
4	1	A14105000C	*	DISC CHAIN WITH ADJUSTABLE LEVER CUBE	
5	1	A34105002		CUBE LEVER	
6	4	EMRDSR208C		ROUND BEARING SUPPORT ø40	
7	16	TR5940	-	GROWER WASHER M 12 127 ZN	
8	12	TR5050		NUT M 12 934 8.8 ZN	
9	4	TR5520	-	NUT M 10 985 8.8 ZN	
10	7	TR1200	-	BOLT M 10x030 933 8.8 ZN	
11	4	TR06313		COTTER 12x8x152	
12	1	TR06309		COTTER 12x8x45	
13	2	TR1467	-	BOLT M 14x095 931 8.8 ZN	
14	12	TR1310	-	BOLT M 12x030 933 8.8 ZN	
15	4	TR5840	-	FLAT WASHER M 14 125 ZN	
16	2	TR5540		SELFLOCKING NUT M14 8.8 985 ZN	
17	3	TR5930	-	GROWER WASHER M 10 127 ZN	
18	4	TR5830	-	FLAT WASHER M 12 125 ZN	
19	4	TR1312	-	BOLT M 12x040 933 8.8 ZN	
20	8	A14102000B		RING 40.5-60-15 KNOTTERS FIXATION	
21	4	EMAT610140	-	KNOTTER RS 6101 TMK 3.3 (201.6100.10)	-
22	16	TR06525		ALLEN HEAD SET SCREW M 08x16 DIN 914	

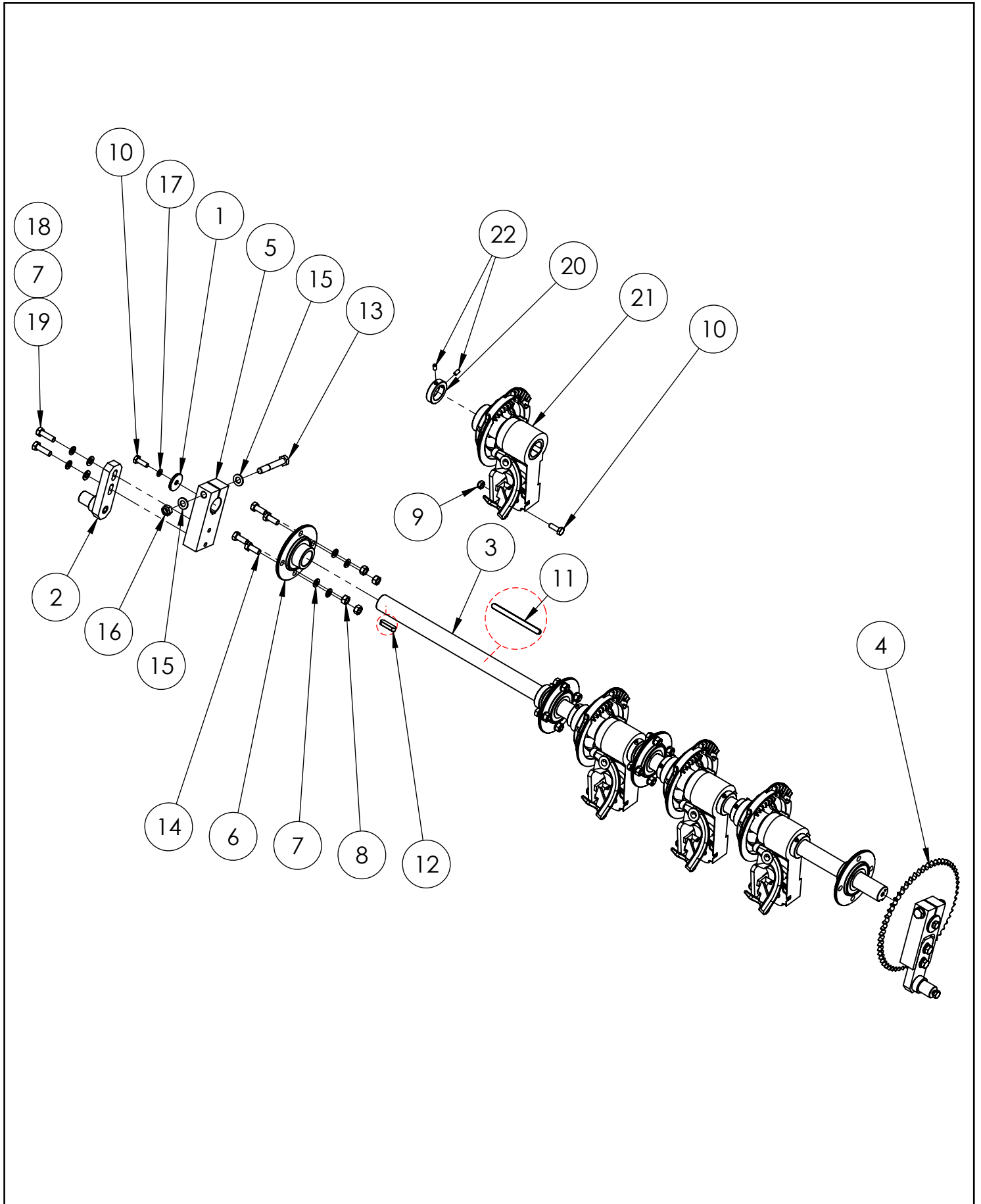


PLAZO DE ENTREGA SEGÚN DISPONIBILIDAD
Los precios están sujetos a revisión sin previa notificación

DELIVERY TIME ACCORDING TO AVAILABILITY
The prices are subject to change without notice

DATE DE LIVRAISON SELON STOCK
Les tarifs sont sujets à changement sans préavis

PAG.	DESCRIPCIÓN / DESCRIPTION	DIBUJO / PICTURE	REV.
26	TIE AXLE ASSEMBLY	HR00258	A



DIBUJO / PICTURE	REV.	DESCRIPCIÓN / DESCRIPTION	PAG.
HR00354	A	KNOTTER	27

POSICIÓN POSITION	CANTIDAD QUANTITY QUANTITÉ	CÓDIGO ARTÍCULO PART CODE	*	DENOMINACIÓN DESCRIPTION DÉNOMINATION	NOTAS NOTES
1	1	EMAT61014041		CAM GEAR	
2	1	EMAT61014001		KNOTTER FRAME	
3	1	EM20220017		BUSHING FOR BILL HOOK	
4	1	EM20220016		BUSHING FOR TWINE DISC	
5	1	TR20220018		PLUD IN GROOVED PIN 9X26	
6	1	EM20220018		BUSHING FOR KNIFE ARM	
7	1	EMAT61014018		PINION	
8	1	EMAT61014020		WORM SHAFT ASSY.	
9	2	EMAT61014010		SPIRAL COCKING PIN 5X22 ISO 8748	
10	1	EMAT61014033		PINION	
11	1	TR20220019		SPIRAL COCKING PIN ISO 8748 - 5X30-ST	
12	1	EMAT61014016		WORM PINION	
13	1	EMAT61014024		CLEANER	
14	2	EMAT61014012		SPRING	
15	1	EMAT61014026		LEVER	
16	1	EMAT61014002		KNIFE ARM ASSY. (18,19,20,21,22 INCLUDED)	
17	1	EMAT61014003		TWINE KNIFE	
18	1	TR1999		HEXAGON HEAD SCREW DIN 933 - M4X10	
19	1	EMAT61014005		ROLLER - KNIFE ARM	
20	2	EMAT61014006		SPACER	
21	1	EM00169		CIRCLIP	
22	1	EMAT61014009		SUPPORT DISC 20X26X0,2	
23	1	EMAT61014008		SUPPORT DISC 20X26X0,5	
24	1	EM20220020		CIRCLIPS FOR SHAFTS 19X1,2	
25	1	EMAT61014011		RS 6006/6101 (ATSK)	
26	1	TR20220020		LOCKING SCREW	
27	1	TR5810		SHIM DIN 125	
28	1	TR5510		SECURING NUT DIN 985 - M8	
29	1	EMAT61014028		BOLT	
30	1	EMAT6104027		SPRING	
31	1	TR5810		SPACER	
32	1	EMAT61014015		TWINE DISC CPL.	
33	1	EMAT61014025		TWINE HOLDER	
34	1	EMAT61014032		BILL HOOK ASSY	
35	1	EMAT61014042		SPACER 58X72X3,5	
36	1	EMAT61014043		SPACER 58X72X0,5	
37	1	EMAT61014044		SPACER 58X72X0,2	
38	1	EM00170		CIRCLIP RS 6106	
39	2	TR1190		HEXAGON HEAD SCREW DIN 933 - M10 X 25	
40	2	TR5930		SPRING LOCK WASHER B10 DIN 127	
41	2	EMAT61014007		SHIM 15X21X0,5 DIN 988	
42	2	EMAT61014004		SHIM 15X21X0,2 DIN 988	
43	2	EMAT61014006		SHIM 15X21X1 DIN 988	
44	4	AM20220019		PIPE CONNECTION, ANGLE M8X1	
45	1	AM20220018		PIPE CONNECTION, STRAIGHT M8X1	
46	1	EMAT61014013		SAFETY PLATE 46 4STAHL A2E	
47	1	EMAT61014031		BILL HOOK ALONE	
48	1	EMAT61014030		SPIRAL COCKING PIN 5X18 ISO 8748	
49	1	EMAT6101402A		KNIFE ARM	

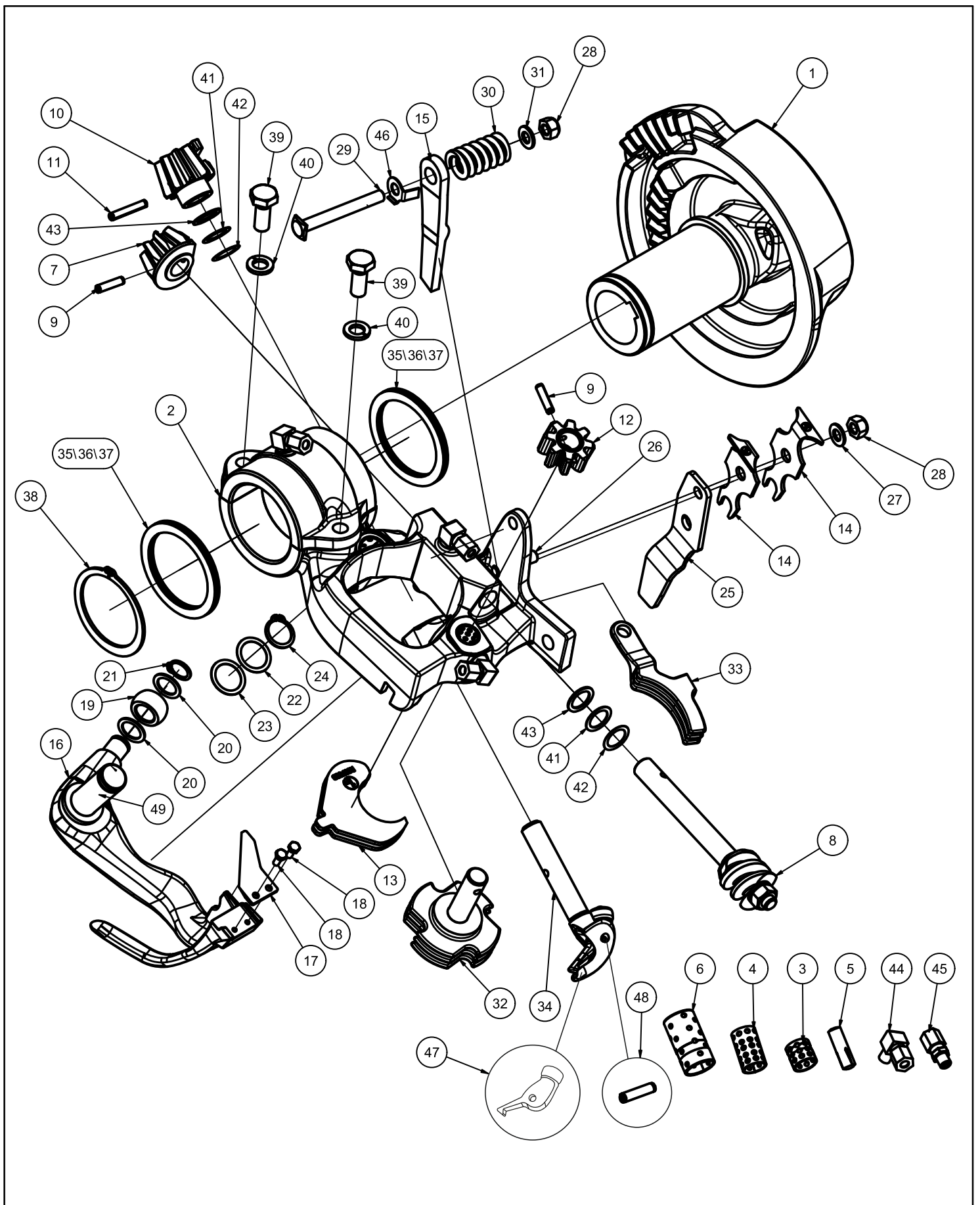


PLAZO DE ENTREGA SEGÚN DISPONIBILIDAD
Los precios están sujetos a revisión sin previa notificación

DELIVERY TIME ACCORDING TO AVAILABILITY
The prices are subject to change without notice


DATE DE LIVRAISON SELON STOCK
Les tarifs sont sujets à changement sans préavis

PAG.	DESCRIPCIÓN / DESCRIPTION	DIBUJO / PICTURE	REV.
28	KNOTTER	HR00354	A

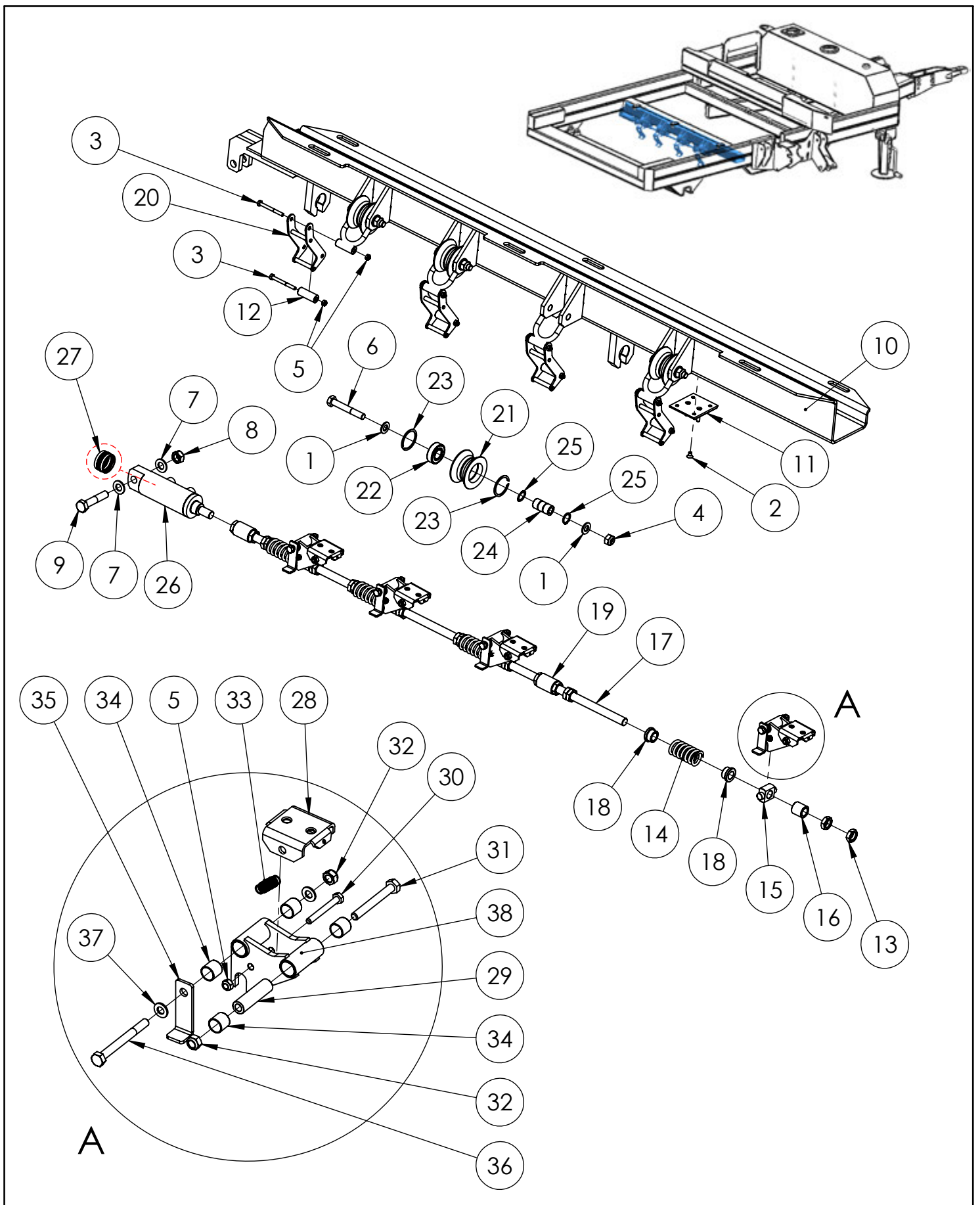


<i>DIBUJO / PICTURE</i>	<i>REV.</i>	<i>DESCRIPCIÓN / DESCRIPTION</i>	<i>PAG.</i>
HR00259	A	RECOVERY TENSIONER ASSEMBLY	29

POSICIÓN POSITION POSITION	CANTIDAD QUANTITY QUANTITÉ	CODIGO ARTICULO PART CODE	*	DENOMINACION NAMING DÉNOMINATION	NOTAS NOTES NOTES
1	8	TR5830	-	FLAT WASHER M 12 125 ZN	
2	12	TR2990		ALLEN HEAD SOCKET BUTTON SCREW M 06x01	
3	8	TR1056	-	BOLT M 06x060 931 8.8 ZN	
4	4	TR5530	-	NYLON INSERT LOCK NUT M 12 985 8.8 ZN	
5	12	TR5500		NYLON INSERT LOCK NUT M 06 985 8.8 ZN	
6	4	TR1353	-	BOLT M 12x080 931 8.8 ZN	
7	2	TR5840	-	FLAT WASHER M 14 125 ZN	
8	1	TR5540		SELFLOCKING NUT M14 8.8 985 ZN	
9	1	TR1442	-	BOLT M 14x070 931 8.8 ZN	
10	1	A3S000294	*	SUPPORT	
11	8	A14301100C		GUIDE SUPPORT ANTIWEARING WITH ROUNDS	
12	4	A14610003C	*	BUSH 6.5-16-44 ROCKER ROLLER	
13	20	TR1P169360		NYLON INSERT LOCK NUT M 12 985 8.8 ZN	
14	4	MUCM006501		COMP. SPRING 5x35x65 THREAD TENSION	
15	4	A14307000C	*	ROCKER ALXE TENSIONER BA	
16	4	A14323000C		BUSH 16,5-25-25 TOP TENSIONER	
17	1	TR06412		THREADED ROD M 12 ZN	
18	8	A14311000C		BUSH 16.5-24/29-15 SPRING ZN	
19	2	A14312000C		BUSH 16-30-40	
20	4	A14610000C	*	RECUPERATOR ROCKER	
21	4	A3P000001		THREAD ROLLER GUIDE	
22	4	EM00072		BEARING 6004 2RS	-
23	8	EM00190		ELASTIC RING I-042 DIN 472	
24	4	A3P000002	-	DISTANCING AXLE	
25	8	EM00171		ELASTIC RING E-020 DIN 471	
26	1	EC002003		CYLINDER 40-25-20	
27	1	KR254009		SEALS CYLDR.25-40	
28	4	A14305001C		PRESSURE PLATE	
29	7	A14308000C	*	BUSH 08-14-50 TENSIONER DISTANCIATOR	
30	4	TR1053	-	BOLT M 06x050 933 8.8 ZN	
31	4	TR1115	-	BOLT M 08x065 933 8.8 ZN	
32	8	TR5510		WASHER M 08 125 ZN	
33	4	MUTR002001		TRACTION SPRING 12x1x20 TENSING THREAD BA	
34	16	EMCP1415		BUSH PERMAGLIDE 14 15 P10	
35	4	A3P000462		PLATE	-
36	4	TR1160	-	BOLT DIN 931 M8x80 8.8 ZN	
37	8	TR5810	-	BOLT M 08x020 933 8.8 ZN	
38	4	A14306000C	*	TENSIONER LEVER	


PLAZO DE ENTREGA SEGUN DISPONIBILIDAD | **DELIVERY TIME ACCORDING TO AVAILABILITY** | **DATE DE LIVRAISON SELON STOCK**
 Los precios están sujetos a cambios sin previo aviso | Prices are subject to change without notice | Les tarifs sont sujets à changement sans préavis

PAG.	DESCRIPCIÓN / DESCRIPTION	DIBUJO / PICTURE	REV.
30	RECOVERY TENSIONER ASSEMBLY	HR00259	A



<i>DIBUJO / PICTURE</i>	<i>REV.</i>	<i>DESCRIPCIÓN / DESCRIPTION</i>	<i>PAG.</i>
HR00260	C	SPOOL CABINET ASSEMBLY	31

POSICIÓN POSITION	CANTIDAD QUANTITY QUANTITÉ	CODIGO ARTICULO PART CODE	*	DENOMINACION NAMING DÉNOMINATION	NOTAS NOTES NOTES
1	1	A3S000324	*	COIL BOX	
2	1	A3S000325		COVER	
3	1	AMGMPFNG01		BLACK RUBBER PROFILE ROLL 50 MTS	1300 mm.
4	2	AMGMPFNG01		BLACK RUBBER PROFILE ROLL 50 MTS	700 mm.
5	1	TR1218402		SS BOX LOCK REF.:1203003	
6	4	RTP13025BS		HINGE REF776711 DOOR SPOOL / PLATE	
7	2	T14201000A		GAS RESORT 550-250-8/18 M6	
8	1	A3S000322		TOOLS BOX	
9	3	TR1021	-	BOLT M 06x025 933 8.8 ZN	
10	16	TR20200011		VOLT ALLEN M6x20 INOX DIN 7380	
11	27	TR5500		NYLON INSERT LOCK NUT M 06 985 8.8 ZN	
12	3	TR1010	-	BOLT M 06x016 933 8.8 ZN	
13	4	TR2951		VOLT ALLEN M 05x10 INOX DIN 7380	
14	4	TR5496		SELFLOCKING NUT M 05 985 8.8 ZN	
15	8	TR5810	-	BOLT M 08x020 933 8.8 ZN	
16	4	TR5510		WASHER M 08 125 ZN	
17	4	TR5030		NUT M 08 934 8.8 ZN	
18	2	TR1090	-	BOLT M 08x030 933 8.8 ZN	
19	8	TR5801	-	FLAT WASHER M 06 9021 ZN	
20	1	A3S000323	-	COMPARTMENT COVER	
21	1	AM20190004		KNOB CLOSURE	-
22	1	A3P000801		SHEET	-
23	3	AR1706T01		SEPARATOR	-
24	8	MUCM003002		SPRING COMP. 15x1x30	
25	4	A24403004B		TUBE 120°	

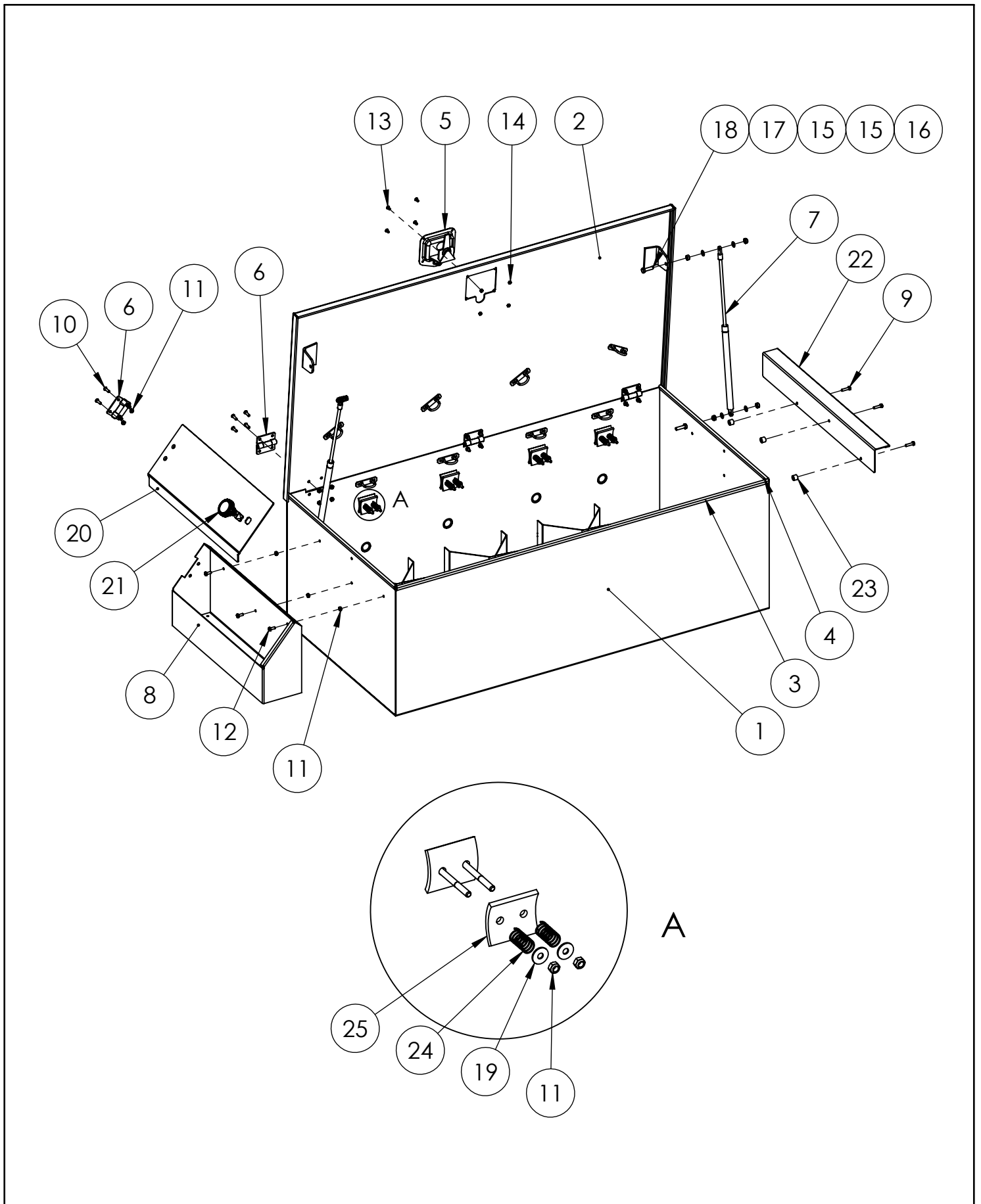


PLAZO DE ENTREGA SEGÚN DISPONIBILIDAD
Los precios están sujetos a revisión sin previa notificación

DELIVERY TIME ACCORDING TO AVAILABILITY
The prices are subject to change without notice

DATE DE LIVRAISON SELON STOCK
Les tarifs sont sujets à changement sans préavis

PAG.	DESCRIPCIÓN / DESCRIPTION	DIBUJO / PICTURE	REV.
32	SPOOL CABINET ASSEMBLY	HR00260	C



<i>DIBUJO / PICTURE</i>	<i>REV.</i>	<i>DESCRIPCIÓN / DESCRIPTION</i>	<i>PAG.</i>
HR00262	B	UPPER FRAME ASSEMBLY	33

POSICIÓN POSITION	CANTIDAD QUANTITY QUANTITÉ	CODIGO ARTICULO PART CODE	*	DENOMINACION NAMING DÉNOMINATION	NOTAS NOTES NOTES
1	2	TR5820	-	FLAT WASHER M 10 125 ZN	
2	2	TR1180	-	BOLT DIN-933 M10x20 8.8 ZN	
3	1	A4S000158	*	SUPERIOR CHASSIS	
4	1	A37300000	*	SENSOR D6	
5	1	A3S000319	*	UPPER CHASSIS	
6	4	EM00248		PERMAGLIDE BUSH 30 20 P10	
7	2	A15302000D		SPACER A1-BA 03	
8	2	TR5541		NUT M 16 985 8.8 ZN	
9	4	TR5825	-	FLAT WASHER M 10 9021 ZN	
10	4	TR1190	-	BOLT M 10x025 933 8.8 ZN	
11	2	TR1560	-	BOLT M 16x100 931 8.8 ZN	
12	2	EC035501		CYLDR.DE.25-40/355 UPPER DOOR WITH BRAKE	
13	1	KR254011	-	SEALS KIT CYLDR.25-40 CIC	-
14	2	AM0011001		SILEMBLOCK ANTIVIBRATION FOOT 60x28 M-10 50/120	

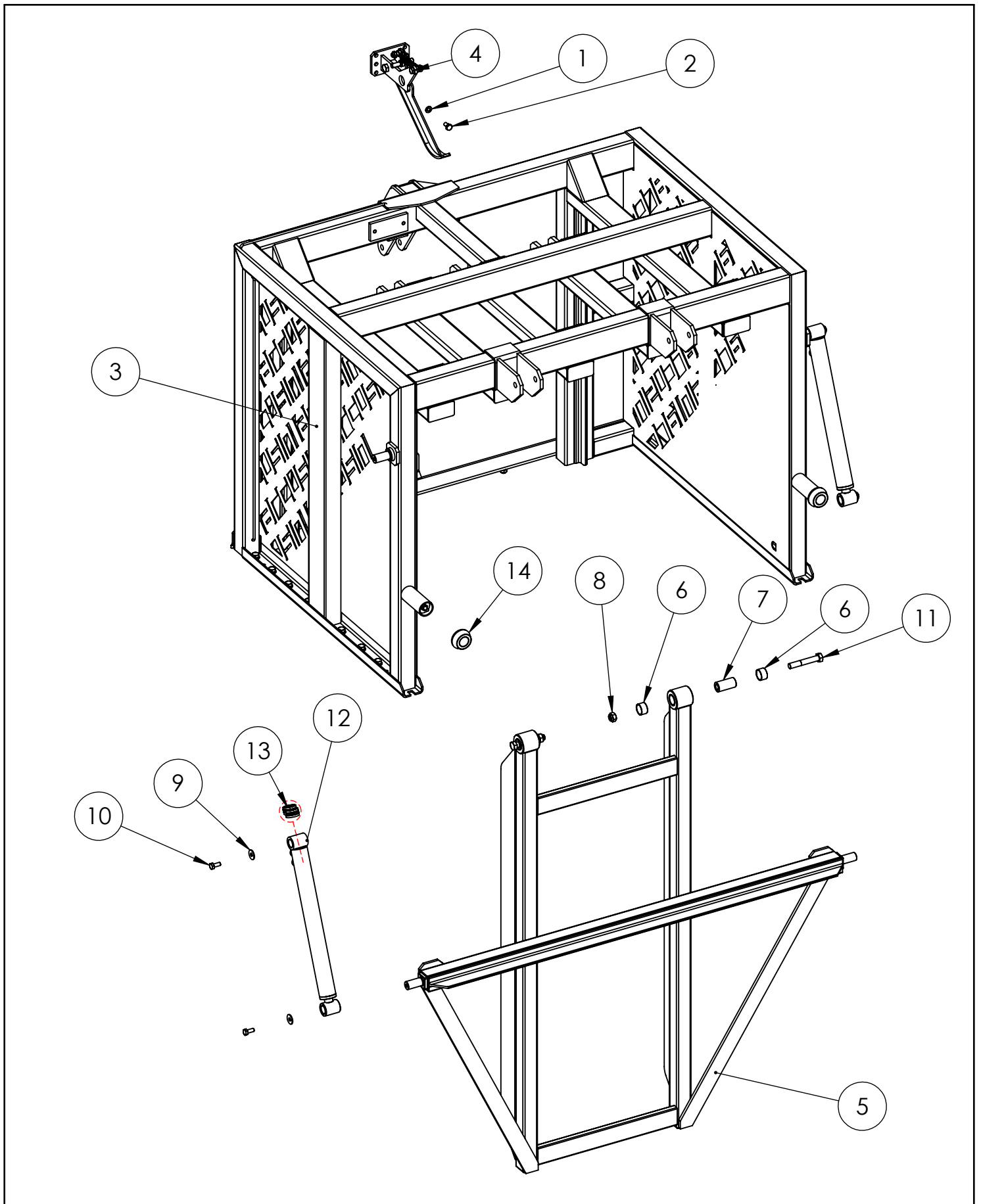


PLAZO DE ENTREGA SEGÚN DISPONIBILIDAD
Los precios están sujetos a revisión sin previa notificación

DELIVERY TIME ACCORDING TO AVAILABILITY
The prices are subject to change without notice

DATE DE LIVRAISON SELON STOCK
Les tarifs sont sujets à changement sans préavis

PAG.	DESCRIPCIÓN / DESCRIPTION	DIBUJO / PICTURE	REV.
34	UPPER FRAME ASSEMBLY	HR00262	B



<i>DIBUJO / PICTURE</i>	<i>REV.</i>	<i>DESCRIPCIÓN / DESCRIPTION</i>	<i>PAG.</i>
HR00348	B	D6 DETECTION MECHANISM	35

POSICIÓN POSITION	CANTIDAD QUANTITY	CODIGO ARTICULO PART CODE	*	DENOMINACION NAMING DÉNOMINATION	NOTAS NOTES
1	1	A4S000056	*	SUPPORT D6 C14	
2	1	A3S000126	*	CAM MECHANISM D6	
3	1	A14605000B	*	BUSH 14-22-50 MEC.DETECTOR D6	
4	1	MU20220004		SPRING 18x2x100	
5	1	AE00285		INDUCTIVE DETECTOR ø30 15 mm PNP WITH CONNECTION	
6	1	TR5540		SELFLOCKING NUT M14 8.8 985 ZN	
7	1	TR1465	-	BOLT M 14x090 931 8.8 ZN	
8	4	TR5040		NUT M 10 934 8.8 ZN	
9	2	TR1200	-	BOLT M 10x030 933 8.8 ZN	
10	1	TR1245	-	BOLT M 12x045 933 8.8 ZN	
11	1	TR5530	-	NYLON INSERT LOCK NUT M 12 985 8.8 ZN	

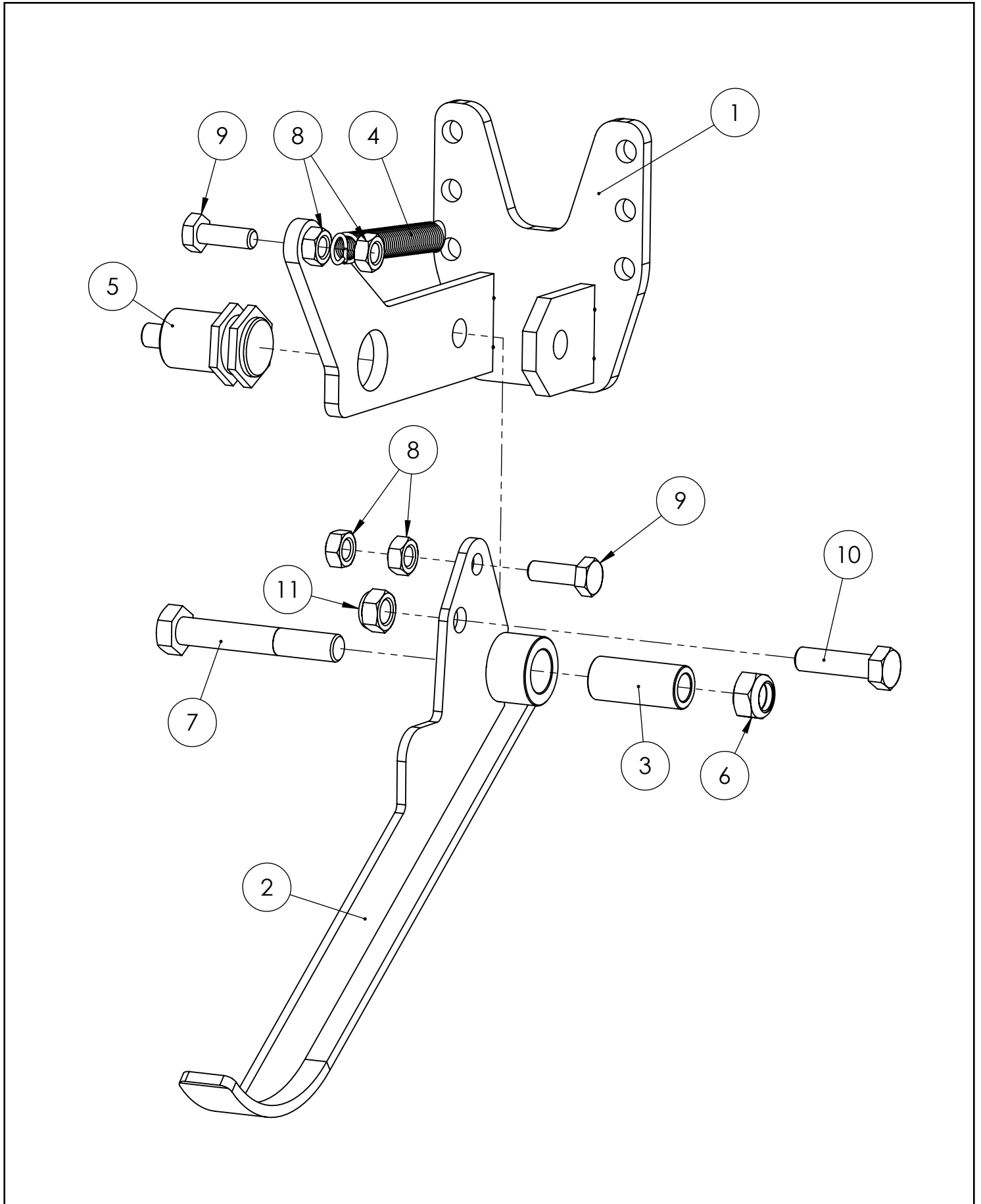


PLAZO DE ENTREGA SEGÚN DISPONIBILIDAD
Los precios están sujetos a revisión sin previa notificación

DELIVERY TIME ACCORDING TO AVAILABILITY
The prices are subject to change without notice

DATE DE LIVRAISON SELON STOCK
Les tarifs sont sujets à changement sans préavis

PAG.	DESCRIPCIÓN / DESCRIPTION	DIBUJO / PICTURE	REV.
36	D6 DETECTION MECHANISM	HR00348	B



<i>DIBUJO / PICTURE</i>	<i>REV.</i>	<i>DESCRIPCIÓN / DESCRIPTION</i>	<i>PAG.</i>
HR00263	C	BALE EXTRACTOR ASSEMBLY	37

POSICIÓN POSITION	CANTIDAD QUANTITY	CODIGO ARTICULO PART CODE	*	DENOMINACION NAMING DÉNOMINATION	NOTAS NOTES
1	5	TR1560		BOLT M 16x100 931 8.8 ZN	
2	5	TR5541		NUT M 16 985 8.8 ZN	
3	1	A3S000318	*	EXTRACTOR CHASSIS	
4	3	A35302000		BUSH	
5	2	A35303000		BUSH	
6	1	EC040009		CYLDR.DE.25-40/400 ALC. WITH EXTRACTOR BRAKE	
7	6	EMCP2520		PERMAGLIDE BUSH 25 20 P10	
8	1	KR254009		SEALS CYLDR.25-40	
9	1	EC01300201		HOLLOW SCREW G 3/8" WITH REGULATOR	
10	1	EH20220017	*	MULTIPACK DOOR SEQUENCE DISTRIBUTOR BLOCK	
11	1	RCJMB06		METAL BUNA JOINT 3/8"	

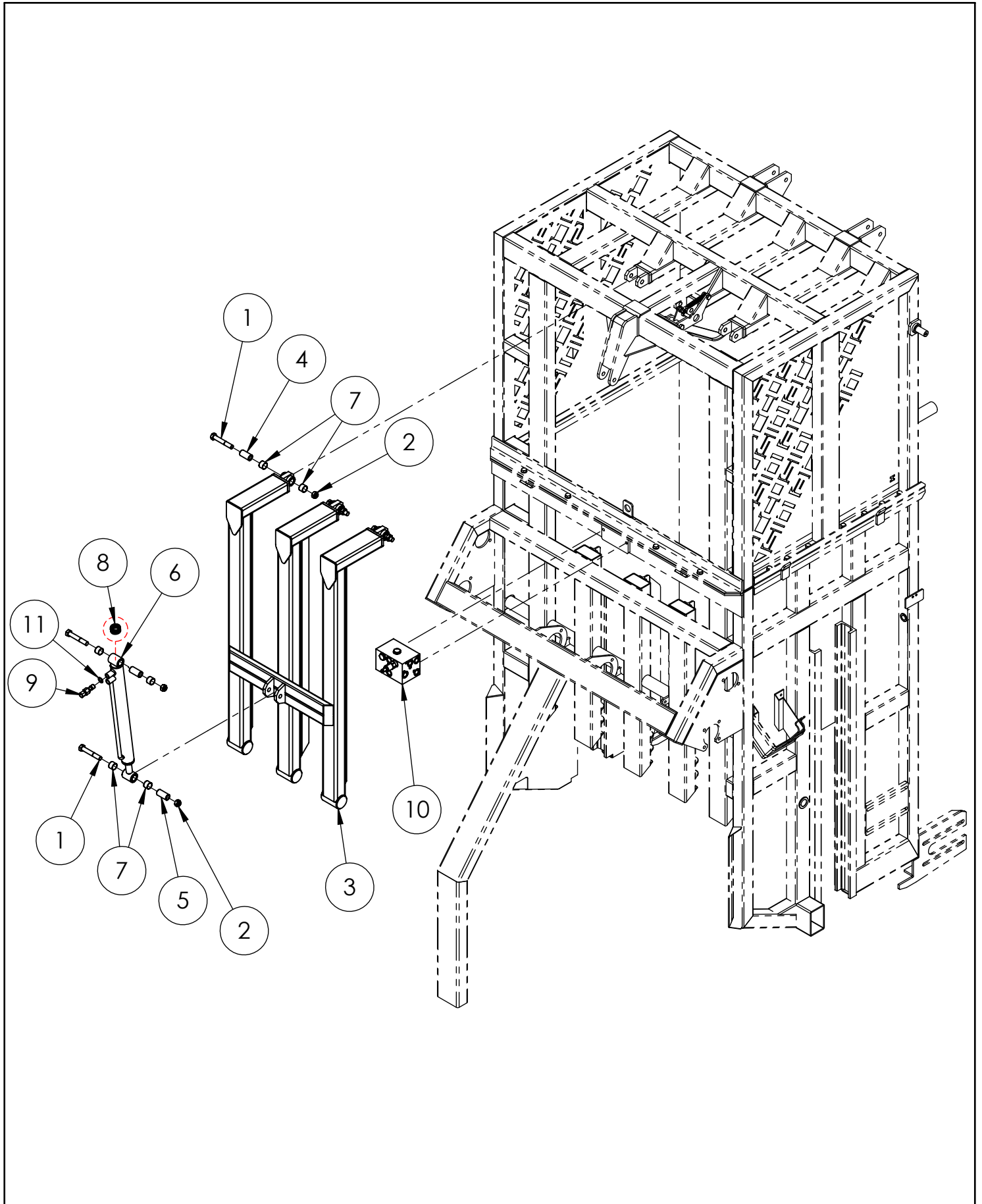


PLAZO DE ENTREGA SEGÚN DISPONIBILIDAD
Los precios están sujetos a revisión sin previa notificación

DELIVERY TIME ACCORDING TO AVAILABILITY
The prices are subject to change without notice

DATE DE LIVRAISON SELON STOCK
Les tarifs sont sujets à changement sans préavis

PAG.	DESCRIPCIÓN / DESCRIPTION	DIBUJO / PICTURE	REV.
38	BALE EXTRACTOR ASSEMBLY	HR00263	C



<i>DIBUJO / PICTURE</i>	<i>REV.</i>	<i>DESCRIPCIÓN / DESCRIPTION</i>	<i>PAG.</i>
HR00264	D	DISCHARGE DOOR	39

POSICIÓN POSITION POSITION	CANTIDAD QUANTITY QUANTITÉ	CODIGO ARTICULO PART CODE	*	DENOMINACION NAMING DÉNOMINATION	NOTAS NOTES NOTES
1	6	TR5070		NUT M 16 934 8.8 ZN	
2	2	TR5069		NUT DIN 6330B 8.8 M16	
3	8	TR1441		BOLT M 14x060 933 8.8 ZN	
4	3	TR1190		BOLT M 10x025 933 8.8 ZN	
5	6	TR5090		NUT M 20 934 8.8 ZN	
6	8	TR1349		VOLT DIN 933 M12x55 8.8 ZN	
7	8	TR5830		FLAT WASHER M 12 125 ZN	
8	8	TR5940		GROWER WASHER M 12 127 ZN	
9	2	ROR0278		BEARING Ø40	-
10	2	EC071502		CYLINDER.DE.30-50/705	
11	1	KR305007		SEALS CYLINDER 30-50/300 CIC LATERAL	-
12	2	AM0011001		SILEMBLOCK ANTIVIBRATION FOOT 60x28 M-10 50/120	
13	1	AR1706S18s	*	SYNCHRONIZATION DOOR PLATE	
14	1	AR1706S18	*	DOOR SINCRONIZATION PLATE	
15	2	AR1706P52		FIXATION PLATE	-
16	1	A4S000137	*	DOOR CHASSIS	
17	3	A14101000B		FLAT WASHER 10.5-45-5 ROD TYERS	
18	2	A3P000016	*	DOOR FIXATION	-
19	2	A3P000154		THREADED ROD ZINC	-
20	2	A3P000388		ROD M20 - M10	

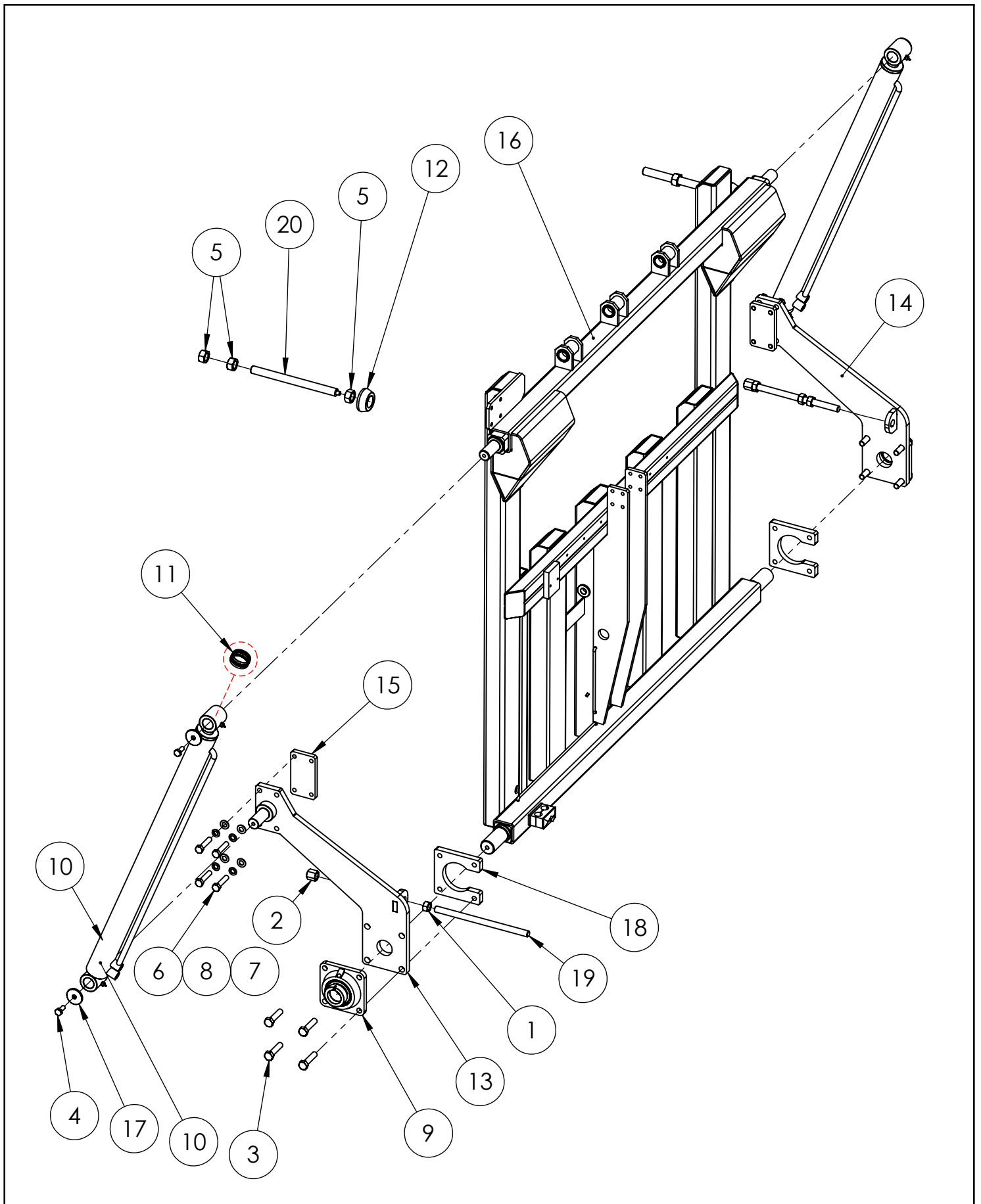


PLAZO DE ENTREGA SEGÚN DISPONIBILIDAD
Los precios están sujetos a revisión sin previa notificación

DELIVERY TIME ACCORDING TO AVAILABILITY
The prices are subject to change without notice

DATE DE LIVRAISON SELON STOCK
Les tarifs sont sujets à changement sans préavis

PAG.	DESCRIPCIÓN / DESCRIPTION	DIBUJO / PICTURE	REV.
40	DISCHARGE DOOR	HR00264	D



<i>DIBUJO / PICTURE</i>	<i>REV.</i>	<i>DESCRIPCIÓN / DESCRIPTION</i>	<i>PAG.</i>
HR00267	B	RETAINER ASSEMBLY	41

POSICIÓN POSITION	CANTIDAD QUANTITY QUANTITÉ	CODIGO ARTICULO PART CODE	*	DENOMINACION NAMING DÉNOMINATION	NOTAS NOTES NOTES
1	2	TR06535		GRUB SCREW ALLEN M 08x10 DIN 914	
2	3	TR1570	-	BOLT M 16x110 931 8.8 ZN	
3	3	TR5541		NUT M 16 985 8.8 ZN	
4	11	TR1021	-	BOLT M 06x025 933 8.8 ZN	
5	8	TR5820	-	FLAT WASHER M 10 125 ZN	
6	8	TR5930	-	GROWER WASHER M 10 127 ZN	
7	8	TR1190	-	BOLT M 10x025 933 8.8 ZN	
8	1	EC014004		CYLINDER.DE.30-50/140	
9	1	KR305012	-	SEALS CYLINDER.30-50/340 ELEV.PICK UP & GROUPE	-
10	2	AR1706S03	-	FIXATION FLANGE	
11	3	A35108000		FRAME SPACER RETENTION	
12	1	A3S000308	*	RETENTION CHASSIS	
13	1	A25109000A		PIN CYLINDER COMPRESSION	
14	1	A25107000A		FIXATION PLATE PROTECTOR	
15	2	A25110000A		SHORT PLATE PROTECTOR	
16	1	A3P000643	-	RUBBERIZED PROTECTOR	
17	6	EMCP2520		PERMAGLIDE BUSH 25 20 P10	

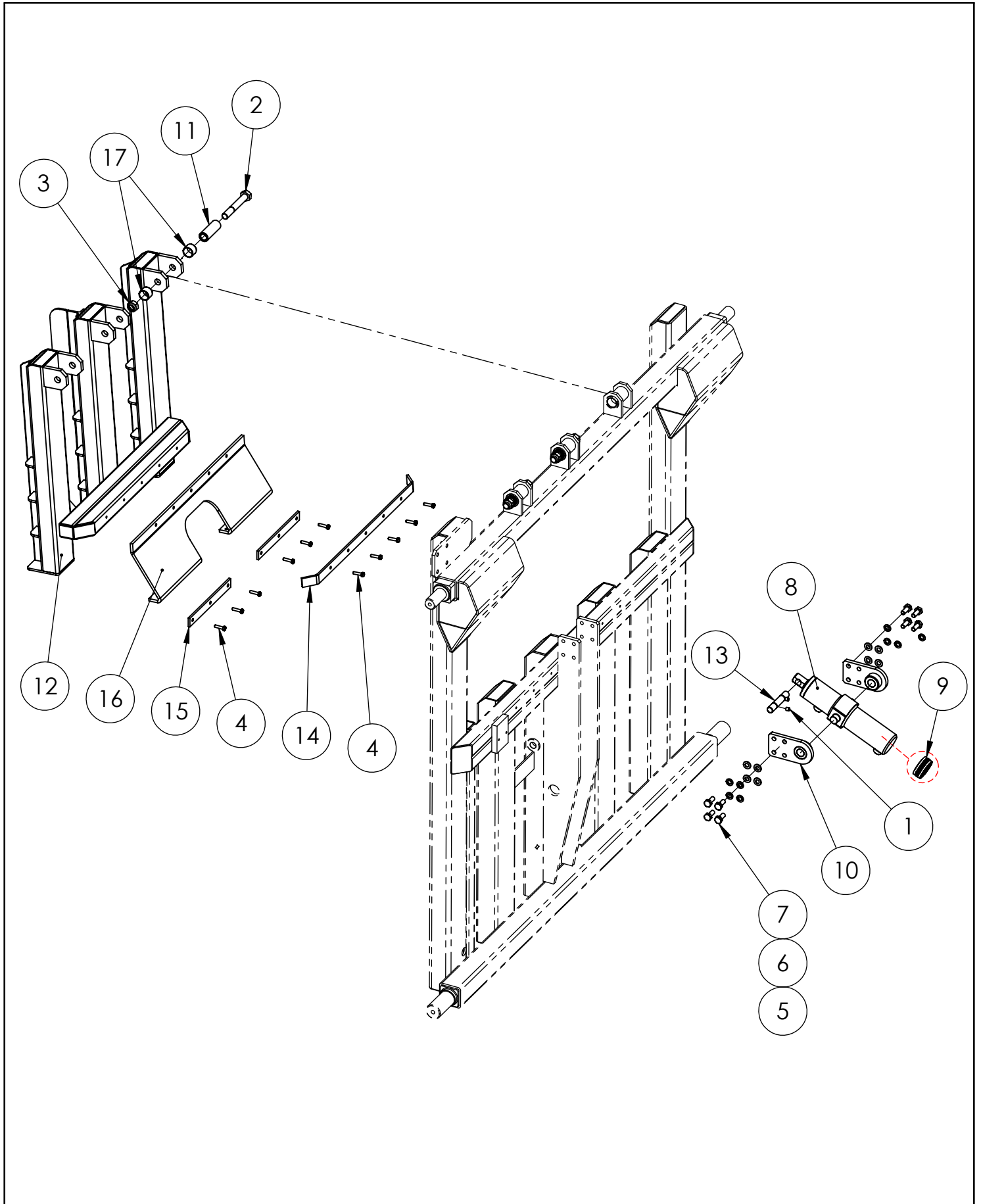


PLAZO DE ENTREGA SEGÚN DISPONIBILIDAD
Los precios están sujetos a revisión sin previa notificación

DELIVERY TIME ACCORDING TO AVAILABILITY
The prices are subject to change without notice

DATE DE LIVRAISON SELON STOCK
Les tarifs sont sujets à changement sans préavis

PAG.	DESCRIPCIÓN / DESCRIPTION	DIBUJO / PICTURE	REV.
42	RETAINER ASSEMBLY	HR00267	B



<i>DIBUJO / PICTURE</i>	<i>REV.</i>	<i>DESCRIPCIÓN / DESCRIPTION</i>	<i>PAG.</i>
HR00268	D	DETECTOR D4 + D8	43

POSICIÓN POSITION POSITION	CANTIDAD QUANTITY QUANTITÉ	CODIGO ARTICULO PART CODE	*	DENOMINACION NAMING DÉNOMINATION	NOTAS NOTES NOTES
1	1	AR1706S02	*	DETECTION MECHANISM	
2	2	MU20220004		SPRING 18x2x100 D4	
3	2	EMCP25215		PERMAGLIDE BUSH 25 21.5	
4	1	A37202000		SEPARATOR BUSH	
5	1	XXP000001		SUPPORT PHOTOCELL E3Z-D82	-
6	1	A3S000233		PHOTOCELL SUPPORT	
7	1	A2P000053		FLAG D8	-
8	1	AEFTC08		PHOTOCELL E3Z-D82-M1J03	
9	1	AE00285		INDUCTIVE DETECTOR ø30 15 mm PNP WITH CONNECTION	
10	1	AECNT01		CONNECTOR 4P M12 90° C/CABLE Y92E-P1D4V5-E1	-
11	1	TR1572		BOLT M 16x130 931 8.8 ZN	
12	1	TR5541		NUT M 16 985 8.8 ZN	
13	4	TR5510		WASHER M 08 125 ZN	
14	6	TR5810		WASHER M08 8.8 ZN	
15	4	TR1080		BOLT M 08x025 933 8.8 ZN	
16	4	TR5920		GROWER WASHER M 08 127 ZN	
17	4	TR1072		BOLT M 08x015 933 8.8 ZN	
18	2	TR1024		BOLT M 03x020 933 8.8 ZN	

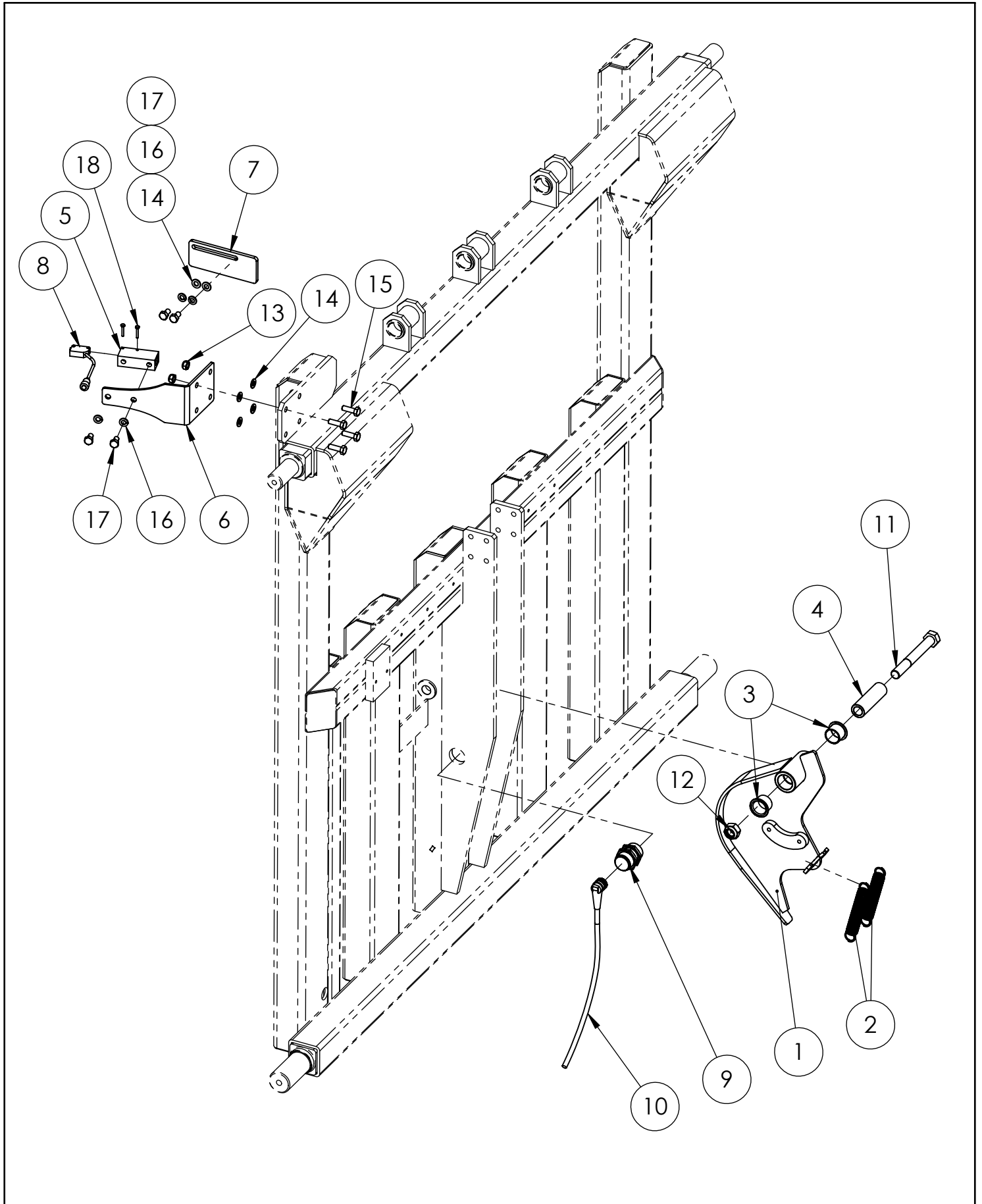


PLAZO DE ENTREGA SEGÚN DISPONIBILIDAD
Los precios están sujetos a revisión sin previa notificación

DELIVERY TIME ACCORDING TO AVAILABILITY
The prices are subject to change without notice

DATE DE LIVRAISON SELON STOCK
Les tarifs sont sujets à changement sans préavis

PAG.	DESCRIPCIÓN / DESCRIPTION	DIBUJO / PICTURE	REV.
44	DETECTOR D4 + D8	HR00268	D



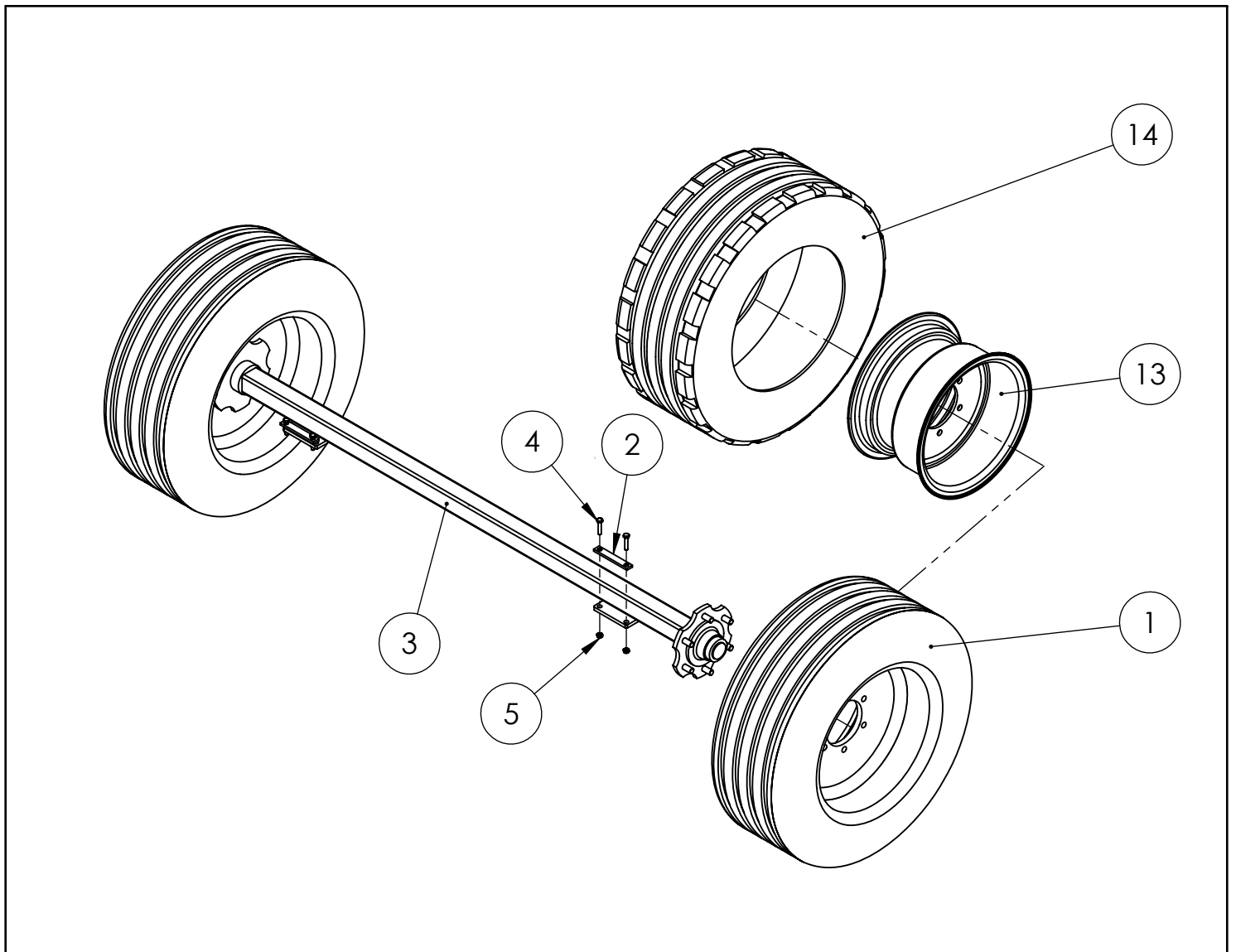
<i>DIBUJO / PICTURE</i>	<i>REV.</i>	<i>DESCRIPCIÓN / DESCRIPTION</i>	<i>PAG.</i>
A30018	H	WHEEL ASSEMBLY	45

POSICIÓN POSITION POSITION	CANTIDAD QUANTITY QUANTITÉ	CODIGO ARTICULO PART CODE	*	DENOMINACION NAMING DÉNOMINATION	NOTAS NOTES NOTES
1	2	AMRD01803		COMPLETE WHEEL 13.0/65-18 16PR ALLIANCE	
2	4	A31302000		SPACER THICKNESS	
3	1	A31301000		AXIS ASSEMBLY	
4	8	TR1232	-	BOLT M 10x050 931 8.8 ZN	
5	8	TR5520	-	NUT M 10 985 8.8 ZN	
6	1	EMRD30208A	-	BEARING 30208A	-
7	1	TR20160005	-	NUT M 18x150	-
8	1	TR1762	-	SHAFT M18/150x54	-
9	1	EMRD32013	-	BEARING 32013	-
10	1	KEMEJ702101	-	KIT SEAL AXLE WITHOUT BRAKE 70.65 160.18 PISA 2100	-
11	1	EMER702101	-	NAVE PLATES ø80 ADR PRESSURE	-
12	1	KEMEJ702103	-	KIT NUT AXLE WITHOUT BRAKE 70.65 160.18 PISA 210	-
13	1	AMRD0180301	-	WHEEL RIM 13.0/65-18	-
14	1	AMRD018012		WHEEL COVER 13.0/65-18	
15	1	EMEJ7021011	-	SHAFT 70.65 160.18 PISA 2100 AG-06	-
16	1	EMRD32210	-	BEARING 32210	-
17	1	EMRD30213	-	BEARING 30213 - DIN 720	-
18	1	EM20180011	*	HUB 70.60 S/BRAKE 160.18	-
19	1	EM20180008	*	AXIS CAPS S/BRAKE 70.60 160.18	-
20	1	EM20180009	*	SEALS AXIS KIT S/BRAKE 70.60 160.18	-
21	1	EM20180010	*	NUT AXIS KIT S/BRAKE 70.60 160.18	-
22	1	EM20180012		STUD HUB WHEEL M18x150	-



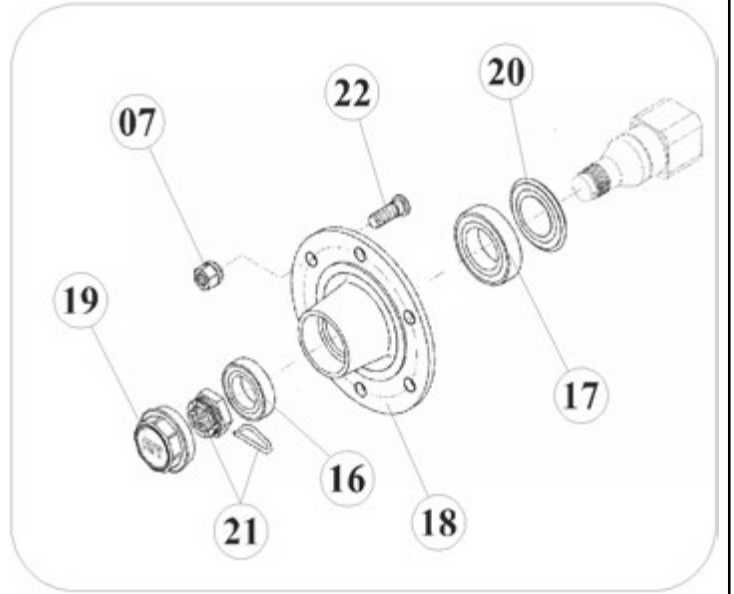
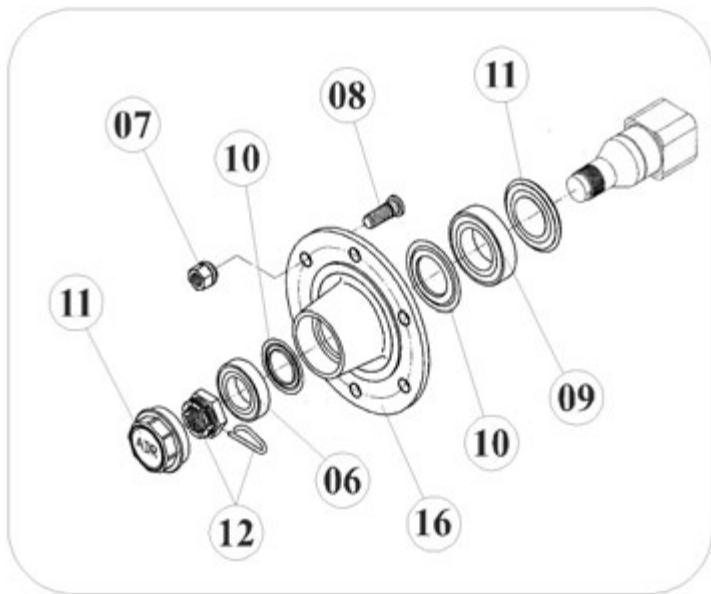
PLAZO DE ENTREGA SEGÚN DISPONIBILIDAD / DELIVERY TIME ACCORDING TO AVAILABILITY / DATE DE LIVRAISON SELON STOCK

PAG.	DESCRIPCIÓN / DESCRIPTION	DIBUJO / PICTURE	REV.
46	WHEEL ASSEMBLY	A30018	H



A.D.R.

Fd7



<i>DIBUJO / PICTURE</i>	<i>REV.</i>	<i>DESCRIPCIÓN / DESCRIPTION</i>	<i>PAG.</i>
HR00256	D	DETECTOR SET D1 + BALE GUIDANCE	47

POSICIÓN POSITION POSITION	CANTIDAD QUANTITY QUANTITÉ	CODIGO ARTICULO PART CODE	*	DENOMINACION NAMING DÉNOMINATION	NOTAS NOTES NOTES
1	8	TR5810		WASHER M08 8.8 ZN	
2	3	TR5510		WASHER M 08 125 ZN	
3	1	TR20160010		BOLT DIN 931 M8x65 8.8 ZN	
4	2	TR1155		BOLT DIN 931 M8x75 8.8 ZN	
5	2	TR1073		BOLT DIN-933 M08x20 8.8 ZN	
6	2	TR1200		BOLT M 10x030 933 8.8 ZN	
7	4	TR5930		GROWER WASHER M 10 127 ZN	
8	1	TR5020		NUT M 06 934 8.8 ZN	
9	2	TR1180		BOLT DIN-933 M10x20 8.8 ZN	
10	1	A3S000153		LINKAGE ARM HOLDER	
11	1	A3S000300		ARM HOLDER	
12	2	PL0109188		TRACTION SPRING 16x2x90	
13	1	AR1706S61	*	DETECTION SUPPORT D1	
14	1	A3S000299	*	CAM DETECTOR D1	
15	2	EMCP2010		BUSH P. 20 10 P10	
16	1	AR1706R45		PLATE	-
17	2	PL0104185		SPRING 16x2x90	
18	1	AM002530T		BUSHING Ø25x30 M06x16	
19	1	A3P000222		SHAFT D1	-
20	1	AE00285		INDUCTIVE DETECTOR ø30 15 mm PNP WITH CONNECTION	
21	1	AE20220036		CABLE W/CONNECTOR M12 M90°-H90° L=1500MM	

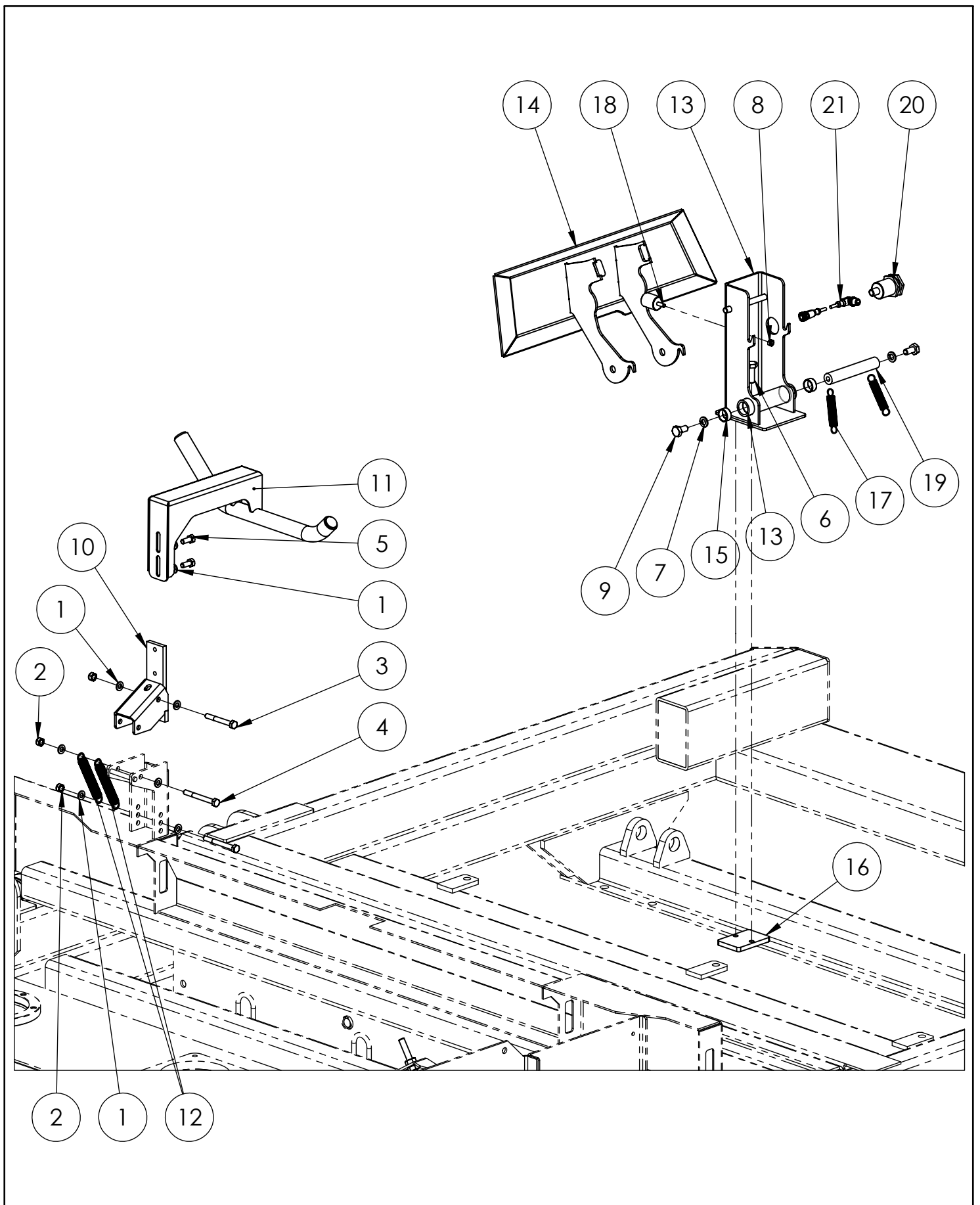


PLAZO DE ENTREGA SEGÚN DISPONIBILIDAD
Los precios están sujetos a revisión sin previa notificación

DELIVERY TIME ACCORDING TO AVAILABILITY
The prices are subject to change without notice

DATE DE LIVRAISON SELON STOCK
Les tarifs sont sujets à changement sans préavis

PAG.	DESCRIPCIÓN / DESCRIPTION	DIBUJO / PICTURE	REV.
48	DETECTOR SET D1 + BALE GUIDANCE	HR00256	D



<i>DIBUJO / PICTURE</i>	<i>REV.</i>	<i>DESCRIPCIÓN / DESCRIPTION</i>	<i>PAG.</i>
HR00269	C	PROTECTOR SET	49

POSICIÓN POSITION	CANTIDAD QUANTITY QUANTITÉ	CODIGO ARTICULO PART CODE	*	DENOMINACION NAMING DÉNOMINATION	NOTAS NOTES NOTES
1	35	TR5810	-	BOLT M 08x020 933 8.8 ZN	
2	36	TR5510		WASHER M 08 125 ZN	
3	24	TR3013		BOLT M 08x030 7991 8.8 ZN	
4	4	TR65112	-	WASHER M 12 9021 ZN	
5	7	TR1091	-	BOLT M 08x035 933 8.8 ZN	
6	2	TR5800	-	WASHER M 06 125 ZN	
7	4	TR5500		NYLON INSERT LOCK NUT M 06 985 8.8 ZN	
8	17	TR20190009	-	VOLT DIN 912 M04x12 8.8 ZN	
9	40	TR5802	-	WASHER DIN-125 M04	
10	20	TR5495		NUT DIN-985 8.8 ZN M4	
11	2	TR2001	-	VOLT DIN 912 M04x16 8.8 ZN	
12	2	TR1426	-	BOLT M 14x040 933 8.8 ZN	
13	2	TR5540		SELFLOCKING NUT M14 8.8 985 ZN	
14	4	TR1020	-	BOLT DIN 933 M06x20 8.8 ZN	
15	2	TR20200011		VOLT ALLEN M6x20 INOX DIN 7380	
16	1	A3S000329	-	SIDE FRONT FAIRING	
17	5	AM0011002		SILENT BLOCK ANTI-VIBRATION STAND 40X23 M-8 0-80	
18	3	TR9T994130		FASTENER 994-130MM	
19	1	AM20200018	-	STEP	
20	1	FXM000058		DOOR ASSEMBLY	
21	1	A3S000209	-	FRONT COVER	
22	1	A3S000220		TETHER WELDING	
23	7	A3P000615		BUSH JOINT	-
24	2	AM002530T		BUSHING Ø25x30 M06x16	
25	1	A3S000332	-	GUARDS	
26	1	A3S000332s	-	GUARDS	
27	2	AM20170011		MAGNET	-
28	3	AM20180006		HINGE 60x60	
29	3	AM20180007		HINGE 60x60	
30	2	AMSS059001		CABLE SIDE PANELS L=590 WITH SEATH	
31	1	TR9A157030	-	HOLDER 1570 30 RIU	-
32	2	TR5920	-	GROWER WASHER M 08 127 ZN	
33	4	TR5030		NUT M 08 934 8.8 ZN	

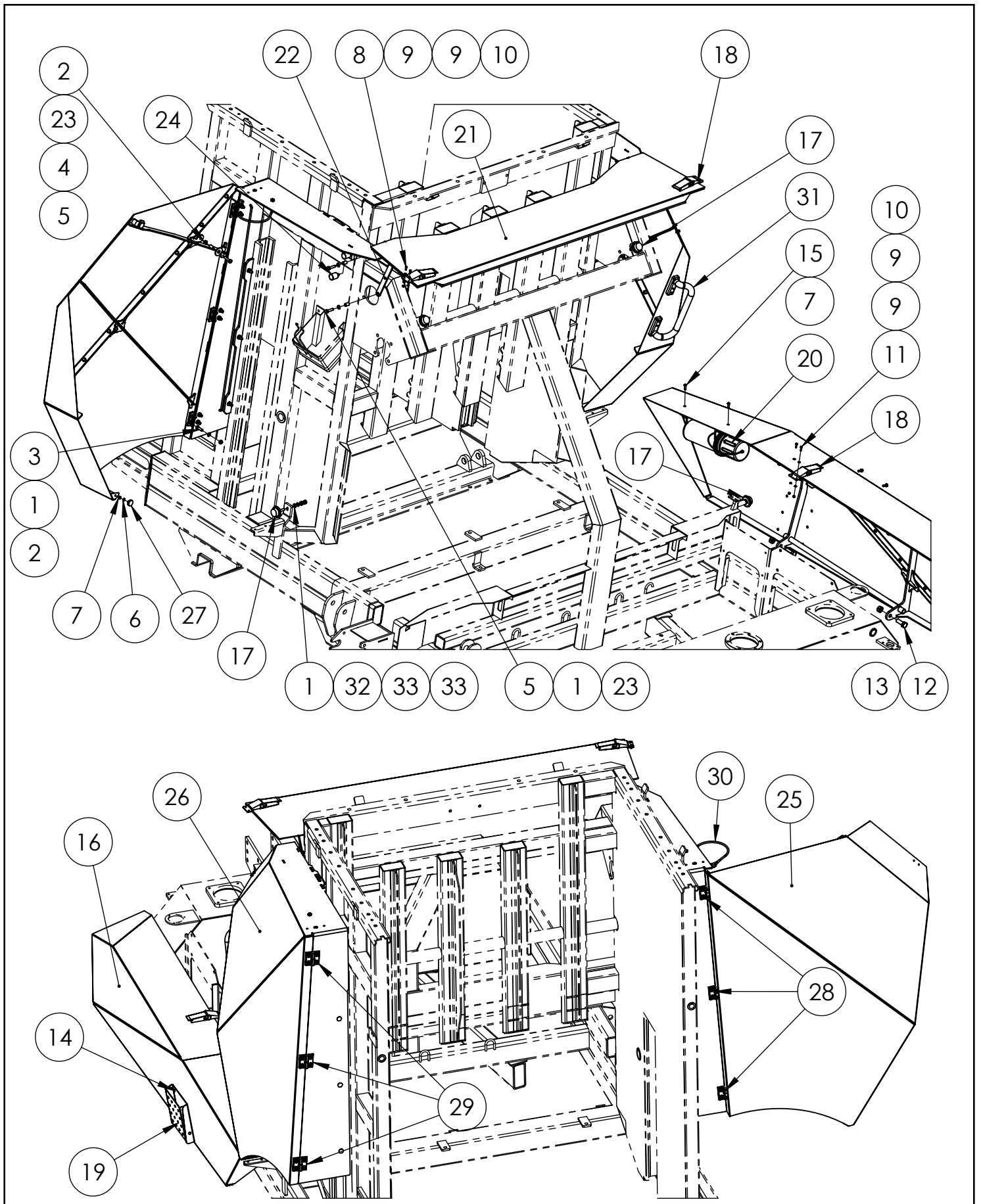


PLAZO DE ENTREGA SEGÚN DISPONIBILIDAD
Los precios están sujetos a revisión sin previa notificación

DELIVERY TIME ACCORDING TO AVAILABILITY
The prices are subject to change without notice

DATE DE LIVRAISON SELON STOCK
Les tarifs sont sujets à changement sans préavis

PAG.	DESCRIPCIÓN / DESCRIPTION	DIBUJO / PICTURE	REV.
50	PROTECTOR SET	HR00269	C



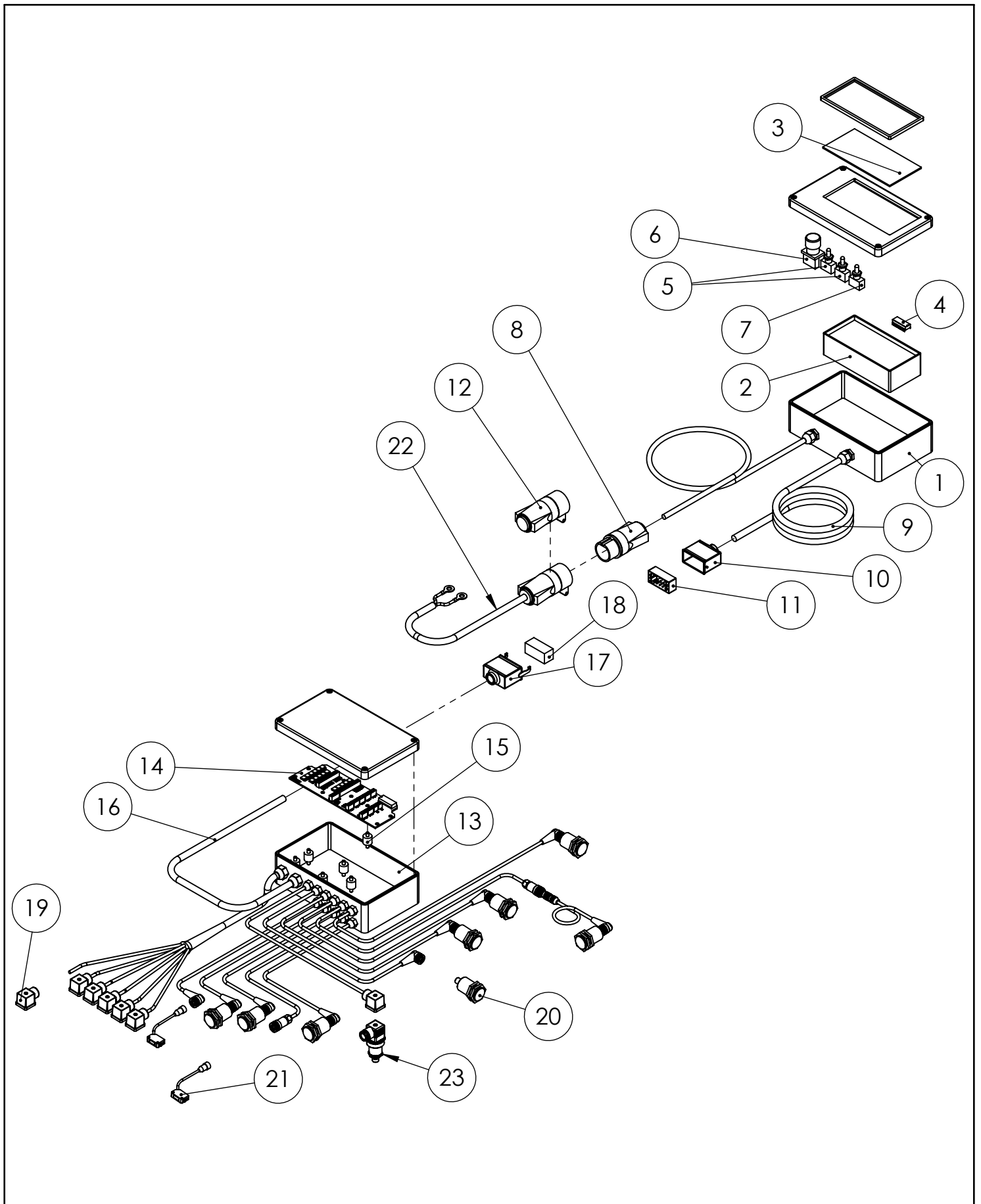
<i>DIBUJO / PICTURE</i>	<i>REV.</i>	<i>DESCRIPCIÓN / DESCRIPTION</i>	<i>PAG.</i>
HR00298	B	ELECTRIC GROUP	51

POSICIÓN POSITION POSITION	CANTIDAD QUANTITY QUANTITÉ	CODIGO ARTICULO PART CODE	*	DENOMINACION NAMING DÉNOMINATION	NOTAS NOTES NOTES
1	1	AE0015		ELECTRONIC BOX 260x160x90 POLYESTER	
2	1	AE011001		AUTOMAT- NGV- YEAR 2009	
3	1	SR400004		AUTOMATON STICKER COMMON B14/C14 186x89,062mm	
4	1	AE20200003	*	MICROCHIP GRP V29	
5	2	AE0203		3 POSITION PUSH-BUTTON PROTECTED WITH SIMPLE RUBBER	
6	1	AEIPE30RJ0		PUSH BUTTON ø40 RED EMERGENCY	
7	1	AE0202		MANUAL & AUTOMATIC PUSH-BUTTON CP94 (2 POSITIONS)	
8	1	AECP02M320		MANUAL & AUTOMATIC PUSH-BUTTON CP94 (2 POSITIONS)	
9	1	AE1023	*	CABLE 2x4 + 4x1 D=13mm	
10	1	AE00361		UNLOCKED COVER 10 P	
11	1	AE00321		MALE PLUG Han 10AM 16A (Socket with holes)	
12	1	AECP02V320		FEMALE BASE 32-20-25 2P IP44 GW62073	
13	1	AE0015		ELECTRONIC BOX 260x160x90 POLYESTER	
14	1	AE99C1FT01		MOTHERBOARD E/S ESV4	
15	8	AM00109		SILEMBLOCK ø16x15 M 05x12	
16	1	AE1023	*	TYRE 10 P WITH CLOSER	
17	1	AE00367		TYRE 10 P WITH CLOSER	
18	1	AE00322		FEMALE PLUG 10P 16A (SOCKET WITH PINS)	
19	7	AE0043		CONNECTORS DIN 43650 LED 12V	
20	8	AE00285		INDUCTIVE DETECTOR ø30 15 mm PNP WITH CONNECTION	
21	2	AEFTC08		PHOTOCELL E3Z-D82-M1J03	
22	1	AE00363		WIRE WITH PLUG TO CONNECT TO THE BATTERY	
23	1	AE20220025		PRESSURE TRANSDUCER	



PLAZO DE ENTREGA SEGÚN DISPONIBILIDAD / DELIVERY TIME ACCORDING TO AVAILABILITY / DATE DE LIVRAISON SELON STOCK

PAG.	DESCRIPCIÓN / DESCRIPTION	DIBUJO / PICTURE	REV.
52	ELECTRIC GROUP	HR00298	B



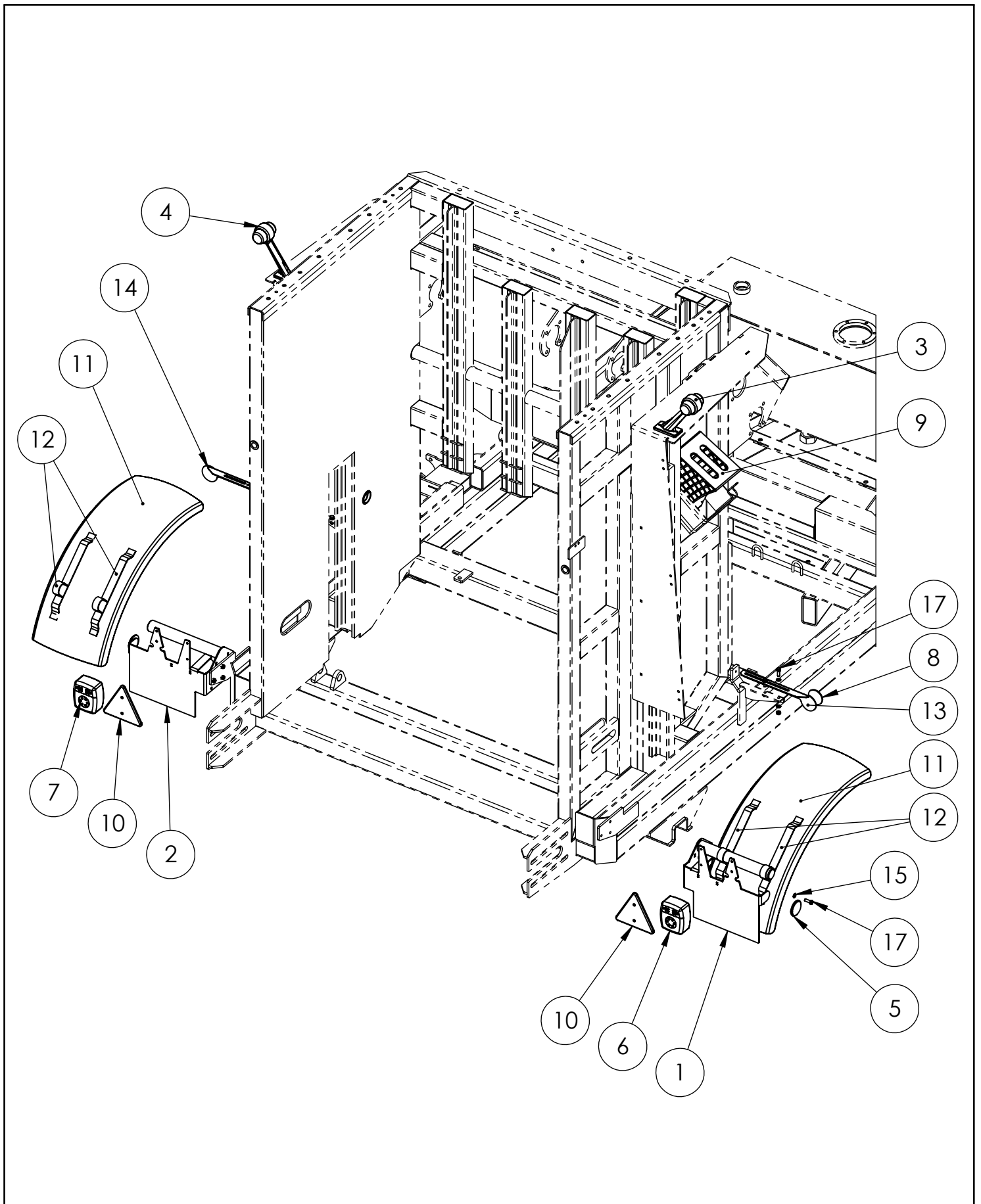
<i>DIBUJO / PICTURE</i>	<i>REV.</i>	<i>DESCRIPCIÓN / DESCRIPTION</i>	<i>PAG.</i>
HR00195	A	SIGNALISATION	53

POSICIÓN POSITION	CANTIDAD QUANTITY QUANTITÉ	CODIGO ARTICULO PART CODE	*	DENOMINACION NAMING DÉNOMINATION	NOTAS NOTES NOTES
1	1	A3S000215	-	SUPPORT	
2	1	A3S000215s	-	SUPPORT	
3	1	AE20160009		PILOT LIGHT	
4	1	AE20160008		PILOT LIGHT	
5	3	AEC04007		RETRO-REFLECTOR ø 60 ORANGE	
6	1	AE20160011		RIGHT TAIL LED	-
7	1	AE20160010		LEFT TAIL LED 1mt	-
8	2	AEC04006		RETRO-REFLECTOR ø 60 WHITE	
9	2	AMCL1102135	-	CHOCK PLASTIC WHEEL YELLOW HOM.	-
10	2	RECV00251		RED TRIANGULAR CATADIOPTRIC	
11	2	AM20170023		MUDGUARD	-
12	4	AM20180005		MUDGUARD SUPPORT	-
13	1	ACP000351		ARM	-
14	1	ACP000351s		ARM	-
15	20	TR5810	-	BOLT M 08x020 933 8.8 ZN	
16	10	TR5510		WASHER M 08 125 ZN	
17	10	TR1080	-	BOLT M 08x025 933 8.8 ZN	



PLAZO DE ENTREGA SEGÚN DISPONIBILIDAD / DELIVERY TIME ACCORDING TO AVAILABILITY / DATE DE LIVRAISON SELON STOCK

PAG.	DESCRIPCIÓN / DESCRIPTION	DIBUJO / PICTURE	REV.
54	SIGNALISATION	HR00195	A



<i>DIBUJO / PICTURE</i>	<i>REV.</i>	<i>DESCRIPCIÓN / DESCRIPTION</i>	<i>PAG.</i>
HR00273	B	HYDRAULIC DISTRIBUTOR	55

POSICIÓN POSITION POSITION	CANTIDAD QUANTITY QUANTITÉ	CODIGO ARTICULO PART CODE	*	DENOMINACION NAMING DÉNOMINATION	NOTAS NOTES NOTES
1	1	EHEV543X01D		BASIC MODUL PVB DSANFOSS	
2	6	EHDEB4216D		ELECTRIC ACTUATOR PVEO DANFOSS	
3	6	EHDM543XXXD		MANUAL ACTUATOR PVM DANFOSS	
4	6	EHDM543XX1D		HAND LEVER PVM	
5	1	EH00196		MANOMETER WIKA ø63 0/400 G1/4"dorsal class 1,6	
6	1	EH20190012		ACCUMULATOR HDR. 0.16 Lts.-75 BAR	
7	1	EHEKB39990		SEALS ACTUATOR MANUAL PVM DANFOSS	
8	1	EHEKB89990		SEALS MOUNTING MODULE PVG DANFOSS	
9	1	EHEKB69990		SEALS MODULE PVB DANFOSS DISTRIBUTOR	
10	1	EHEKB49970		SEALS COIL PVEO DANFOSS	
11	1	EHLP0206		RELIEF PRESSURE VALVE 3/8"	



PLAZO DE ENTREGA SEGÚN DISPONIBILIDAD
Los precios están sujetos a revisión sin previa notificación

DELIVERY TIME ACCORDING TO AVAILABILITY
The prices are subject to change without notice

DATE DE LIVRAISON SELON STOCK
Les tarifs sont sujets à changement sans préavis

PAG.	DESCRIPCIÓN / DESCRIPTION	DIBUJO / PICTURE	REV.
56	HYDRAULIC DISTRIBUTOR	HR00273	B

