



# LINEPACK

**MULTIFUNCTIONAL BALE BAR**

ACHIEVE PERFECT ALIGNMENT  
WHEN COLLECTING WITH AUTOSTACK

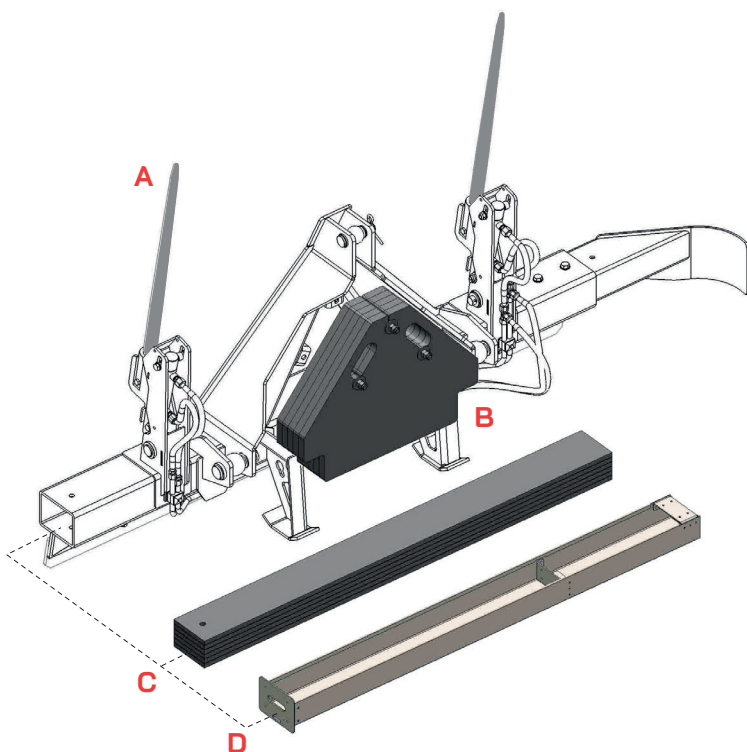




## THE IDEAL COMPLEMENT FOR YOUR TRACTOR WHEN WORKING WITH AUTOSTACK

**LinePack aligns bales in the field regardless of how they exit the baler,** without the need to do any movement in the direction of the tractor

It also **allows to pick one or two bales** with its tines, increasing the loading capacity of the stacker



For more information visit our website  
or contact us

### OPTIONS

<b>A</b>	Optional tines	33.5 in / 850 mm
<b>B</b>	Back counterweights	max. 441 lb / 200 kg 88 lb/u / 40 kg/u
<b>C</b>	Lateral counterweights	max. 330.7 in / 150 kg 55 lb/u / 25 kg/u
<b>D</b>	Tool box	16 L de capacidad

### DIMENSIONS & WEIGHTS

Width	89 / 97 in 2.260 / 2.460 mm
Height	53.5 in / 1.360 mm
Standard tines	45.3 in / 1.150 mm
TARE	507 lb / 230 kg (without extras)